

DAE 1530
Extractor unit
with EasySwitch controls for convenient operation



- Customised kitchen design – fully integrated in 532 mm width
- Powerful – 415 m³/h at the highest level
- LED strip for uniform lighting
- Efficient filtration- 10-ply stainless-steel grease filter
- Safe and easy to clean – Miele CleanCover



EAN: 4002516879633 / Material number: 12760960 /
Old Material Number: 28E1530SGB

Construction type and design	
Appliance colour	Stainless steel
Construction type	
Integrated extractor	•
Operating modes	
Type of air guide	Can be retrofitted
Recirculation conversion kit (order separately)	DUU 150,DUU 151
Active charcoal filter (order separately)	DKF 32-P
User convenience	
Electronic controls	•
Touch-on-glass controls	•
Power levels (number without Booster level)	3
Booster levels	1
Efficiency and sustainability	
Annual energy consumption in kWh/year	72.2
Energy efficiency class (A+++ – D)	B
Grease filtering efficiency class	B
Fluid dynamic efficiency class	B
Lighting efficiency class	A
Cleaning and care	
Easy-to-clean canopy interior – CleanCover	•
Filter system	
Number of dishwasher-safe stainless steel grease filters (10-ply)	1
Lighting	
Number x W	1 x 3,2 W
Light intensity in lx	360 lx
Colour temperature in K	3500 Kelvin
Fan	
Number of fans	1
Dual-action fan	•
AC motor	•
Exhaust air	
Air throughput in Level 1 (m ³ /h) according to EN 61591	215
Air throughput in Level 2 (m ³ /h) according to EN 61591	315
Air throughput in Level 3 (m ³ /h) according to EN 61591	415
Air throughput in booster level 1 (m ³ /h)	675
Sound power in Level 1 (dB(A) re 1 pW) according to EN 60704-3	45.0
Sound power in Level 2 (dB(A) re 1 pW) according to EN 60704-3	48.0
Sound power in Level 3 (dB(A) re 1 pW) according to EN 60704-3	53.0
Sound power in Booster level 1 (dB(A) re 1 pW) acc. to EN 60704-3	65.0
Sound pressure in Level 1 (dB(A) re 20 µPa) according to EN 60704-2-13	30.0
Sound pressure in Level 2 (dB(A) re 20 µPa) according to EN 60704-2-13	34.0

DAE 1530
Extractor unit
with EasySwitch controls for convenient operation



EAN: 4002516879633 / Material number: 12760960 /
Old Material Number: 28E1530SGB

Sound pressure in Level 3 (dB(A) re 20 µPa) according to EN 60704-2-13 39.0

Sound pressure in Booster level 1 (dB(A) re 20 µPa) acc. to EN 60704-2-13 51.0

Recirculation

Air throughput in Level 1 (m³/h) according to EN 61591 200

Air throughput in Level 2 (m³/h) according to EN 61591 295

Air throughput in Intensive level (m³/h) according to EN 61591 630

Air throughput in Level 3 (m³/h) according to EN 61591 395

Sound power in Level 1 (dB(A) re 1 pW) according to EN 60704-3 46.0

Noise power level in Intensive level (dB(A) re 1 pW) according to EN 60704-3 71.0

Sound power in Level 2 (dB(A) re 1 pW) according to EN 60704-3 53.0

Sound power in Level 3 (dB(A) re 1 pW) according to EN 60704-3 59.0

Sound pressure in Level 1 (dB(A) re 20 µPa) according to EN 60704-2-13 32.0

Sound pressure in Level 2 (dB(A) re 20 µPa) according to EN 60704-2-13 39.0

Sound pressure in Level 3 (dB(A) re 20 µPa) according to EN 60704-2-13 45.0

Noise pressure level in Intensive level (dB(A) re 20 µPa) according to EN 60704-2-13 57.0

Safety

Safety switch-off •

Technical data

Canopy width in mm 532

Canopy height in mm 50

Canopy depth in mm 372

Net weight in kg 9.0

Length of supply lead in m 1.5

Standard plug fitted •

Minimum height above electric hobs in mm 450

Minimum safety distance above gas hobs (max. 12.6 kW total power, burner ≤ 4.5 kW) in mm 650

Number of phases 1

Total rated load in kW 0.20

Voltage in V 230

Fuse rating in A 10

Frequency in Hz 50

Installation notes

Extraction ducting connection at top •

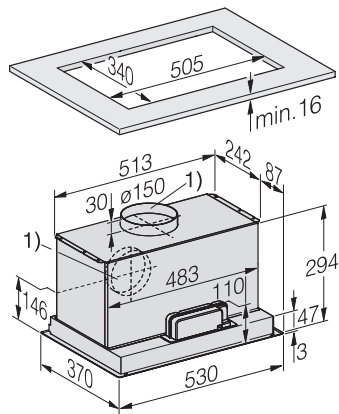
Extraction connection at top and rear •

Diameter of exhaust duct in mm 150

Accessories included

Non-return flap •

DAE 1530
Extractor unit
with EasySwitch controls for convenient operation



DAE1530, DAE1535 Installation drawing

1) Exhaust air connection alternatively to the rear, Exhaust air connection \varnothing 150 mm., Further detailed dimensions can be found in the operating instructions!