

WED385 WCS PWash&Steam&9kg

W1 front-loader washing machine:

A -20 %* | 9 kg | 1400 rpm | SteamCare | QuickPowerWash | Miele@home



- Tested for 20 years of perfect laundry care*
- Save even more energy with A -20 %**
- SteamCare reduces ironing time by up to 50 % and freshens up your clothes
- QuickPowerWash ensures fast, efficient results in just 49 minutes***
- Complete app control of your washing machine with Miele@home****

* During the development phase of the W1 washing machine series, Miele tested models and core components in 5000 wash loads (= 5 wash loads per week for 50 weeks per year) in various programmes. More: miele.com/20years

** 20 % more economical than the threshold value (52) for energy efficiency class A.

*** This applies to all Miele washing machines that enable the process and machine-related parameters presented in the summary of the WL 1110/18 test report to be implemented.

**** Miele@home is a separate digital offer from Miele & Cie. KG. All smart applications are made possible with the Miele@home system. The range of functions can vary depending on the model and the country.



EAN: 4002516865759 / Material number: 12721260 / Old Material Number: 11ED3851GB

| | |
|--|-------------------------------|
| Construction type | |
| Side-by-side | • |
| Slot-in | • |
| Can be built-under | • |
| Door hinge | right |
| Spinning | |
| Max. spin speed | 1400 |
| Design | |
| Appliance colour | Lotus white |
| Control panel colour | Lotus white |
| Rotary selector colour | Lotus White |
| Display | DirectSensor white, 7 segment |
| Gentle laundry care | |
| Load in kg | 9.0 |
| User convenience | |
| Networking with Miele@home | • |
| Efficiency and sustainability | |
| Energy efficiency class (A–G) | A |
| More economical than the threshold value (52) for energy efficiency class A | 20% |
| Weighted energy consumption per 100 operating cycles for the wash cycle in kWh | 40 |
| Weighted water consumption per cycle in l | 50 |
| Spin efficiency class (A–G) | B |
| Acoustic airborne noise emission class (spin cycle; A–D) | A |
| Sound emissions during spin cycle in dB(A) re 1 pW | 72 |
| Duration of the “ECO 40–60” programme at nominal capacity | 229 |
| Power rating in off mode in W | 0.30 |
| Power rating in networked standby in W | 0.60 |
| Wash programmes | |
| QuickPowerWash | • |
| Cottons (coloureds) | • |
| Minimum iron | • |
| Delicates | • |
| Shirts | • |
| Woollens (hand-washable) | • |
| Express 20 | • |
| Dark garments / Denim | • |
| Freshen up (steam) | • |
| Drain / Spin | • |
| ECO 40-60 | • |
| Safety | |
| Water protection system | Watercontrol-System |
| Technical data | |
| Dimensions in mm (width) | 596 |
| Dimensions in mm (height) | 850 |
| Dimensions in mm (depth) | 636 |

WED385 WCS PWash&Steam&9kg

W1 front-loader washing machine:

A -20 %* | 9 kg | 1400 rpm | SteamCare | QuickPowerWash | Miele@home



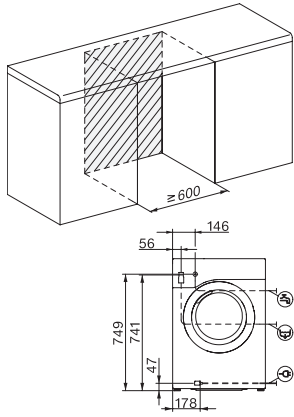
EAN: 4002516865759 / Material number: 12721260 / Old Material Number: 11ED3851GB

| | |
|---|-----------|
| Appliance depth in mm with opened door | 1054 |
| Appliance depth excluding door (for building-under) in mm | 600 |
| Weight in kg | 80 |
| Total rated load in kW | 2.10-2.40 |
| Voltage in V | 220-240 |
| Fuse rating in A | 13 |
| Frequency in Hz | 50 |
| Length of water inlet hose in m | 1.60 |
| Length of water drain hose in m | 1.50 |
| Length of supply lead in m | 2 |

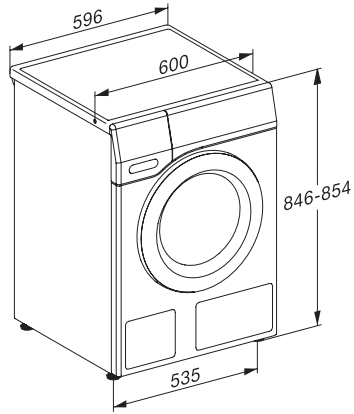
WED385 WCS PWash&Steam&9kg

W1 front-loader washing machine:

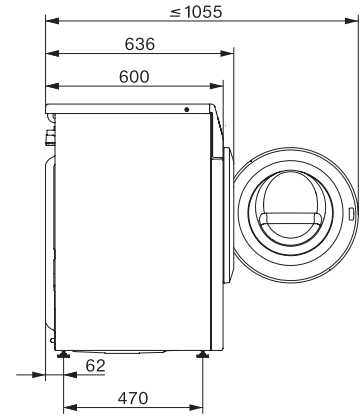
A -20 %* | 9 kg | 1400 rpm | SteamCare | QuickPowerWash | Miele@home



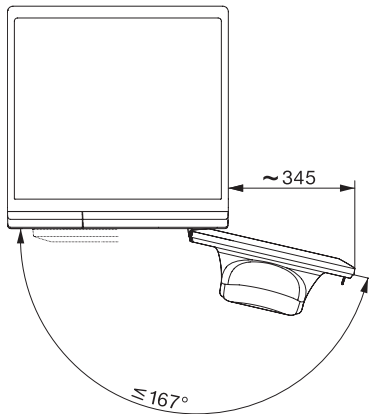
W1 installation drawing, slanted facia or straight facia, measures in mm



W1 drawing, slanted facia or straight facia, measures in mm



W1 drawing, slanted facia or straight facia, measures in mm



W1 drawing, slanted facia or straight facia, measures in mm