

WEE385 WCS PWash&Steam&8kg

W1 front-loader washing machine:

A -40 %* | 8 kg | 1400 rpm | SteamCare | QuickPowerWash | Miele@home



EAN: 4002516867463 / Material number: 12721040 / Old Material Number: 11EE3851GB

- Tested for 20 years of perfect laundry care*
- Save even more energy with A -40 %**
- SteamCare reduces ironing time by up to 50 % and freshens up your clothes
- QuickPowerWash ensures fast, efficient results in just 49 minutes***
- Complete app control of your washing machine with Miele@home****

* During the development phase of the W1 washing machine series, Miele tested models and core components in 5000 wash loads (= 5 wash loads per week for 50 weeks per year) in various programmes. More: miele.com/20years

** 40 % more economical than the threshold value (52) for energy efficiency class A.

*** This applies to all Miele washing machines that enable the process and machine-related parameters presented in the summary of the WL 1110/18 test report to be implemented.

**** Additional digital offer from Miele & Cie. KG. All smart applications are made possible with the Miele@home system. The range of functions can vary depending on the model and the country.



Construction type	
Suitable for stacking	•
Side-by-side	•
Slot-in	•
Can be built-under	•
Door hinge	right
Model	
Product brand	W1 Chrome Edition
Front-loader	•
Spinning	
Max. spin speed	1400
Rinse hold	•
Without spin function	•
Design	
Control panel colour	Lotus white
Door design	Chrome
Rotary selector colour	Lotus White / Chrome ring
Control panel version	Straight
Control type	Rotary control
Display	DirectSensor white, 7 segment
Cleaning performance	
Innovative PowerWash technology	•
CapDosing portioned dispensing	•
Gentle laundry care	
Honeycomb drum	•
Load in kg	8.0
User convenience	
Networking with Miele@home	•
Delay start up to 24 hours	•
Time left display	•
Programme sequence indicator	•
AutoClean detergent drawer	•
AddLoad	•
Efficiency and sustainability	
Energy efficiency class (A–G)	A
More economical than the threshold value (52) for energy efficiency class A	40%
Weighted energy consumption per 100 operating cycles for the wash cycle in kWh	29
Weighted water consumption per cycle in l	48
Spin efficiency class	B
Acoustic airborne noise emission class (spin cycle)	A
Sound emissions during spin cycle in dB(A) re 1 pW	68
Duration of the "ECO 40–60" programme at nominal capacity	219
Power rating in off mode in W	0.40
Power rating in networked standby in W	0.80
Low temperature wash "Cold" and "20 °C"	•

WEE385 WCS PWash&Steam&8kg

W1 front-loader washing machine:

A -40 %* | 8 kg | 1400 rpm | SteamCare | QuickPowerWash | Miele@home



EAN: 4002516867463 / Material number: 12721040 / Old Material Number: 11EE3851GB

Automatic load control	•
Flow meter	•
Foam sensing	•
ProfiEco motor	•
Wash programmes	
QuickPowerWash	•
Cottons (coloureds)	•
Minimum iron	•
Delicates	•
Shirts	•
Woollens (hand-washable)	•
Express 20	•
Dark garments / Denim	•
Freshen up (steam)	•
Drain / Spin	•
ECO 40-60	•
Washing extras	
Short	•
Pre-wash	•
Water plus	•
Additional rinse cycle	•
Pre-ironing with steam	•
Buzzer	•
Safety	
Water protection system	Watercontrol-System
Safety lock	•
PIN-Code	•
Optical interface	•
Technical data	
Dimensions in mm (height)	850
Appliance depth in mm with opened door	1077
Appliance depth excluding door (for building-under) in mm	600
Weight in kg	93
Length of supply lead in m	2
Accessories included	
3 Caps	•
Voucher for Miele detergent	•

WEE385 WCS PWash&Steam&8kg

W1 front-loader washing machine:

A -40 %* | 8 kg | 1400 rpm | SteamCare | QuickPowerWash | Miele@home



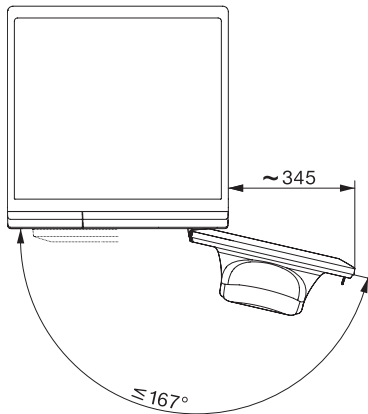
W1 installation drawing, slanted fascia or straight fascia, measures in mm



W1 drawing, slanted fascia or straight fascia, measures in mm



W1 drawing, slanted fascia or straight fascia, measures in mm



W1 drawing, slanted fascia or straight fascia, measures in mm