

TWD640WP EcoSpeed&9kg
T1 heat-pump dryer:
9 kg | DirectSensor | DryCare 40 | EcoSpeed | HygieneDry



- Tested for 20 years of perfect laundry care*
- Heat pump technology – low consumption, gentle drying
- Save time sorting your laundry; DryCare 40 is perfect for a 40 °C wash**
- EcoSpeed efficiently reduces the drying time by 20 minutes***
- HygieneDry removes up to 99.99 % of bacteria* and 99.9 % of viruses****

* During the development phase of the W1 washing machine series, Miele tested models and core components in 5000 wash loads (= 5 wash loads per week for 50 weeks per year) in various programmes. More: [miele.com/20years](https://www.miele.com/20years)

** Not suitable for woollens or silks.

*** Compared to Miele tumble dryers without EcoSpeed with the same load size and energy efficiency class. Tested in the "Cottons" programme with a full load size.

**** Tested for *Bacillus subtilis* and *Saccharomyces cerevisiae* bacteria in the HygieneDry drying level with half load. A description of the relevant methodology can be found at the following link: <https://www.miele.de/testkriterien-trockner>



EAN: 4002516867975 / Material number: 12719170 /
Old Material Number: 12WD6402GB

| | |
|---|--------------------------------|
| Construction type | |
| Suitable for stacking | • |
| Side-by-side | • |
| Slot-in | • |
| Door hinge | left, Reversible |
| Convertible door hinging | • |
| Model | |
| Product brand | T1 White Edition |
| Heat pump dryer | • |
| Design | |
| Appliance colour | Lotus white |
| Control panel colour | Lotus white |
| Door design | Obsidian black with white ring |
| Rotary selector colour | Lotus White |
| Control panel version | 5° inclined |
| Control type | Rotary control |
| Display | DirectSensor white, 7 segment |
| Drying results | |
| PerfectDry precision drying | • |
| FragranceDos fragrance system | • |
| Intelligent drum reversal | • |
| HygieneDry | • |
| Gentle laundry care | |
| Honeycomb drum | • |
| Load in kg | 9.0 |
| User convenience | |
| Networking with Miele@home | • |
| Wash2Dry | • |
| Delay start up to 24 hours | • |
| Time left display | • |
| Programme sequence indicator | No |
| Drum lighting | LED |
| Condensate container | • |
| Integrated condensed water drainage | • |
| AddLoad | • |
| Efficiency and sustainability | |
| Energy efficiency class (A+++ – D) | A+++ |
| Annual energy consumption in kWh | 194 |
| Duration in minutes in the standard programme | 187 |
| Noise in the Cottons programme with full load in db(A) re 1 pW | 66 |
| Condensation efficiency class | A |
| Energy consumption in kWh in the Cottons Normal dry standard programme with a full load | 1.60 |
| EcoDry technology | • |
| Maintenance-free heat exchanger | • |
| ProfiEco motor | • |

TWD640WP EcoSpeed&9kg

T1 heat-pump dryer:

9 kg | DirectSensor | DryCare 40 | EcoSpeed | HygieneDry



EAN: 4002516867975 / Material number: 12719170 /

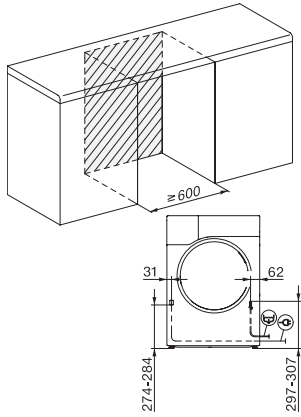
Old Material Number: 12WD6402GB

| | |
|---|---------|
| EcoSpeed | • |
| Drying programmes | |
| Cottons (coloureds) | • |
| Cottons arrow | • |
| Minimum iron | • |
| Delicates | • |
| Shirts | • |
| Woollens handcare | • |
| Express | • |
| Proofing | • |
| Bed linen | • |
| Warm air/DryFresh | • |
| Drying extras | |
| Anti-crease | • |
| Buzzer | • |
| DryCare 40 | • |
| Quality | |
| Soft ribs | • |
| Safety | |
| PIN-Code | • |
| Empty out container indicator | • |
| Clean filter indication | • |
| Optical interface | • |
| Technical data | |
| Dimensions in mm (width) | 596 |
| Dimensions in mm (height) | 850 |
| Dimensions in mm (depth) | 643 |
| Appliance depth in mm with opened door | 1077 |
| Weight in kg | 54 |
| Total rated load in kW | 1.10 |
| Voltage in V | 220-240 |
| Fuse rating in A | 13 |
| Frequency in Hz | 50 |
| Length of supply lead in m | 2.0 |
| Hermetically sealed | • |
| Type of coolant | R290 |
| Refrigerant quantity in kg | 0.14 |
| Refrigerant global warming potential in CO ₂ e | 3 |
| Appliance global warming potential in CO ₂ e | 0.42 |
| Replacing lamps | Service |
| Accessories included | |
| Fragrance flacon | • |
| Voucher for a second fragrance flacon | • |

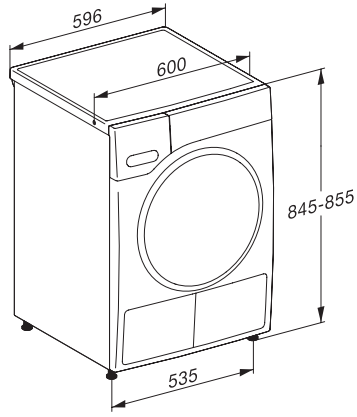
TWD640WP EcoSpeed&9kg

T1 heat-pump dryer:

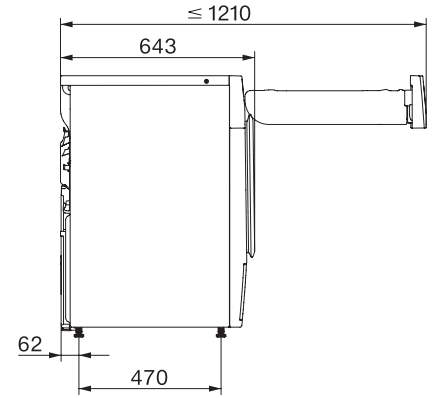
9 kg | DirectSensor | DryCare 40 | EcoSpeed | HygieneDry



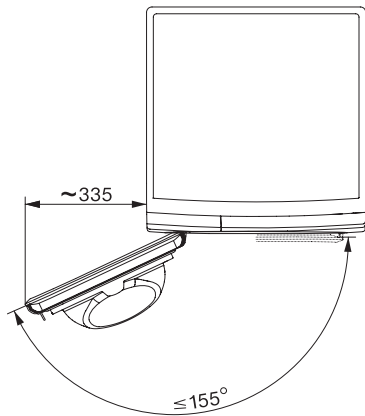
T1 installation drawing, facia 5 degree, measures in mm



T1 drawing, facia 5 degree, measures in mm



T1 drawing, facia 5 degree, with porthole, measures in mm



T1 drawing, facia 5 degree, measures in mm