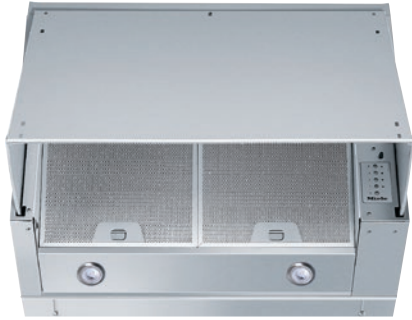


DAZ 1620

Slot-in cooker hood

with energy-efficient LED lighting and light-touch switches for easy use.



- Invisible – can be concealed with kitchen décor
- Powerful – 730 m<sup>3</sup>/h in Booster level
- Energy-efficient and uniform illumination – 2 LED spotlights
- Safe and easy to clean – Miele CleanCover
- For perfect functionality – accessories for proper venting



EAN: 4002516852599 / Material number: 12697770 /  
Old Material Number: 28Z1620SGB

<b>Construction type and design</b>	
Appliance colour	Stainless steel (PF)
<b>Construction type</b>	
Slot-in cooker hood	•
<b>Operating modes</b>	
Type of air guide	Can be retrofitted
<b>User convenience</b>	
Electronic controls	•
Power levels (number without Booster level)	3
Booster levels	1
Programmable Booster level switch-off	•
<b>Efficiency and sustainability</b>	
Annual energy consumption in kWh/year	75.9
Energy efficiency class (A+++ – D)	B
Grease filtering efficiency class	B
Fluid dynamic efficiency class	B
Lighting efficiency class	A
<b>Filter system</b>	
Number of dishwasher-safe metal grease filters	2
<b>Lighting</b>	
LED	•
Number x W	2 x 1,0 W
Light intensity in lx	170 lx
<b>Fan</b>	
Dual-action fan	•
AC motor	•
<b>Exhaust air</b>	
Air throughput in Level 1 (m <sup>3</sup> /h) according to EN 61591	300
Air throughput in Level 2 (m <sup>3</sup> /h) according to EN 61591	470
Air throughput in Level 3 (m <sup>3</sup> /h) according to EN 61591	620
Air throughput in booster level 1 (m <sup>3</sup> /h)	730
Sound power in Level 1 (dB(A) re 1 pW) according to EN 60704-3	47.0
Sound power in Level 2 (dB(A) re 1 pW) according to EN 60704-3	58.0
Sound power in Level 3 (dB(A) re 1 pW) according to EN 60704-3	64.0
Sound power in Booster level 1 (dB(A) re 1 pW) acc. to EN 60704-3	68.0
Sound pressure in Level 1 (dB(A) re 20 µPa) according to EN 60704-2-13	39.0
Sound pressure in Level 2 (dB(A) re 20 µPa) according to EN 60704-2-13	49.0
Sound pressure in Level 3 (dB(A) re 20 µPa) according to EN 60704-2-13	55.0
Sound pressure in Booster level 1 (dB(A) re 20 µPa) acc. to EN 60704-2-13	59.0
<b>Recirculation</b>	
Air throughput in Level 1 (m <sup>3</sup> /h) according to EN 61591	255

DAZ 1620

Slot-in cooker hood

with energy-efficient LED lighting and light-touch switches for easy use.



EAN: 4002516852599 / Material number: 12697770 /  
Old Material Number: 28Z1620SGB

Air throughput in Level 2 (m <sup>3</sup> /h) according to EN 61591	355
Air throughput in Intensive level (m <sup>3</sup> /h) according to EN 61591	430
Air throughput in Level 3 (m <sup>3</sup> /h) according to EN 61591	410
Sound power in Level 1 (dB(A) re 1 pW) according to EN 60704-3	64.0
Noise power level in Intensive level (dB(A) re 1 pW) according to EN 60704-3	75.0
Sound power in Level 2 (dB(A) re 1 pW) according to EN 60704-3	71.0
Sound power in Level 3 (dB(A) re 1 pW) according to EN 60704-3	74.0
Sound pressure in Level 1 (dB(A) re 20 µPa) according to EN 60704-2-13	55.0
Sound pressure in Level 2 (dB(A) re 20 µPa) according to EN 60704-2-13	62.0
Sound pressure in Level 3 (dB(A) re 20 µPa) according to EN 60704-2-13	65.0
Noise pressure level in Intensive level (dB(A) re 20 µPa) according to EN 60704-2-13	66.0

#### Technical data

Canopy width in mm	599
Canopy height in mm	450
Canopy depth in mm	275
Net weight in kg	11.8
Length of supply lead in m	1.2
Standard plug fitted	•
Minimum height above electric hobs in mm	650
Minimum safety distance above gas hobs (max. 12.6 kW total power, burner ≤ 4.5 kW) in mm	650
Number of phases	1
Total rated load in kW	0.25
Voltage in V	230
Fuse rating in A	5
Frequency in Hz	50

#### Installation notes

Extraction ducting connection at top	•
Diameter of exhaust duct in mm	150
Fitting template	•

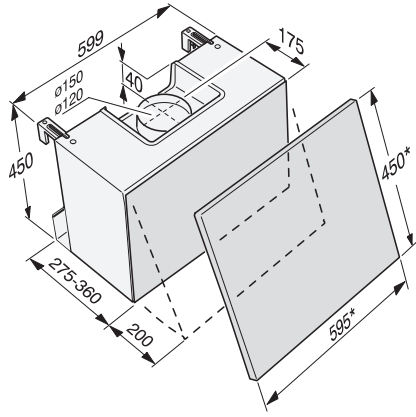
#### Accessories included

Non-return flap	•
-----------------	---

DAZ 1620

Slot-in cooker hood

with energy-efficient LED lighting and light-touch switches for easy use.



DA1867, DAZ1620 (Installation drawing)

\* Measurements of furniture front