

KU 7015 D

Built-under refrigerator

with LED lighting and split door shelves in a compact design.



- Optimum and maintenance-free LED
- Flexible inner door – split door shelves
- Dishwasher-proof door shelves – ComfortClean
- Cool food down quickly thanks to SuperCool



EAN: 4002516848738 / Material number: 12690480 /
Old Material Number: 36701510GB

| | |
|--|-------------|
| Appliance category | |
| Refrigerator | • |
| Construction type | |
| Built-in appliance | • |
| Integrated appliance | • |
| Undercounter appliance | • |
| Door hinge | right |
| Convertible door hinging | • |
| Design | |
| Refrigeration section lighting | LED |
| User convenience | |
| Networking with Miele@home | • |
| ComfortClean | • |
| Control system | |
| Operating concept | EasyControl |
| Independent temperature regulation of fridge and freezer zones | No |
| SuperCool | • |
| No. of temperature zones | 1 |
| Sabbath mode | • |
| Fridge/Fridge section | |
| No. of shelves | 3 |
| Number of inner door racks for tinned food | 2 |
| Door rack for bottles | 1 |
| Door shelves | 3 |
| Efficiency and sustainability | |
| Energy efficiency class (A–G) | D |
| Annual energy consumption in kWh | 74.10 |
| Energy consumption in 24 h in kWh | 0.20 |
| Safety | |
| Acoustic door alarm | • |
| Optical door alarm | • |
| Technical data | |
| Niche width in mm min. | 600 |
| Niche width in mm max. | 600 |
| Niche height in mm min. | 820 |
| Niche height in mm max. | 880 |
| Niche depth in mm | 560 |
| Appliance width in mm | 597 |
| Appliance height in mm | 818 |
| Appliance depth in mm | 550 |
| Weight in kg | 33.0 |
| Door hinge technology | Fixed door |
| Max. door front weight – refrigerator, in kg | 10 |
| Climate class | SN-T |
| Refrigerator compartment in l | 127 |
| Total usable capacity in l | 127 |
| Acoustic airborne noise emission class (A–D) | B |

KU 7015 D

Built-under refrigerator

with LED lighting and split door shelves in a compact design.



EAN: 4002516848738 / Material number: 12690480 /

Old Material Number: 36701510GB

| | |
|----------------------------------|---------|
| Sound emissions in dB(A) re 1 pW | 34 |
| Current consumption (mA) | 2000 |
| Voltage in V | 220-240 |
| Fuse rating in A | 13 |
| Number of phases | 1 |
| Frequency in Hz | 50-60 |
| Length of supply lead in m | 2.2 |
| Replacing lamps | Service |

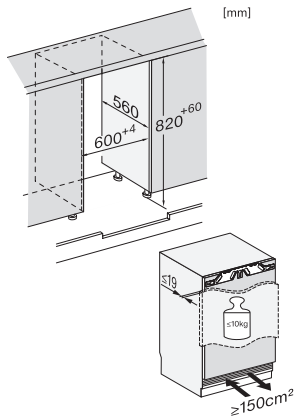
Accessories included

Egg tray

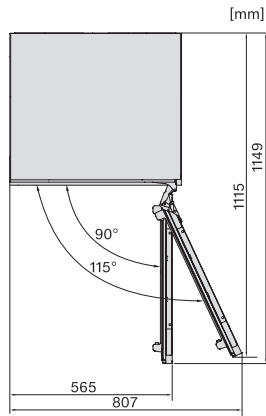
•

KU 7015 D

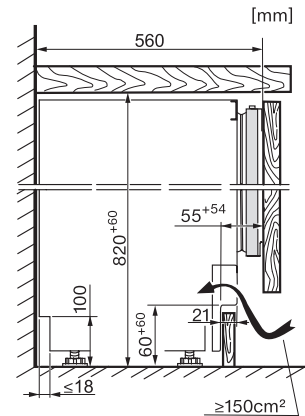
Built-under refrigerator
with LED lighting and split door shelves in a compact design.



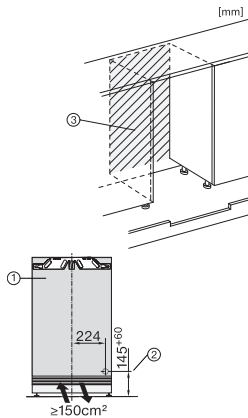
KU7016D, KU7015D, KU7035D, FNUS7040D, Built-under, Einbauskizze, Nischenmaß (installation drawings)



KU7016D, KU7015D, KU7035D, KU7135C, FNUS7040D, FNUS7140C, Built-under, top view (installation drawings)



KU7016D, KU7015D, KU7035D, FNUS7040D, Built-under, side view (installation drawings)



KU7016D, KU7015D, KU7035D, KU7135C, FNUS7140C, Built-under, installation drawing (*footnote) (installation drawings)

*1. View from the front, 2. Mains connection cable, L = 2200 mm, 3. No connection in this area