

KFN 7844 C

Built-in fridge-freezer combination

with PerfectFresh Pro and NoFrost in 194 cm height for a lot of storage space.



- 17 % more volume in the fridge section – Built-In XL
- Professional storage – fresher for longer with PerfectFresh Pro
- Optimum and maintenance-free LED lighting in compartment
- No icing up of food and no need to defrost thanks to NoFrost
- Uniform temperature distribution inside the appliance – DynaCool



EAN: 4002516840619 / Material number: 12665240 /
Old Material Number: 38784400EU1

Appliance category	
Fridge-freezer	•
Construction type	
Built-in appliance	•
Integrated appliance	•
Door hinge	right
Convertible door hinging	•
Design	
Refrigeration section lighting	LED
User convenience	
Networking with Miele@home	•
Freshness system	PerfectFresh Pro
ComfortClean	•
DynaCool	•
NoFrost	•
DuplexCool	•
ComfortSize	•
VarioRoom	•
SoftClose	•
Control system	
Operating concept	SensorTouch
Fridge compartment can be switched off	Yes
Independent temperature regulation of fridge and freezer zones	Yes
SuperCool	•
SuperFreeze	•
No. of temperature zones	3
Sabbath mode	•
Party mode	•
Holiday mode	•
Fridge/Fridge section	
No. of shelves	4
including number of split shelves (FlexiBoard)	1
Chrome-plated metal bottle rack	•
No. of crisper drawers	2
Dry back wall	CleanSteel
Number of inner door racks for tinned food	2
Door rack for bottles	1
Door shelves	3
Freezer/Freezer section	
Number of freezer drawers	3
Efficiency and sustainability	
Energy efficiency class (A–G)	C
Annual energy consumption in kWh	162.06
Energy consumption in 24 h in kWh	0.44
Safety	
Lock function	•
Acoustic door alarm	•

KFN 7844 C

Built-in fridge-freezer combination

with PerfectFresh Pro and NoFrost in 194 cm height for a lot of storage space.



EAN: 4002516840619 / Material number: 12665240 /

Old Material Number: 38784400EU1

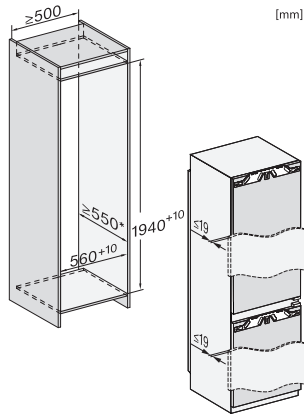
Acoustic temperature alarm	•
Optical door alarm	•
Optical temperature alarm	•
Power cut indication for freezer section	•

Technical data	
Niche width in mm min.	560
Niche width in mm max.	570
Niche height in mm min.	1940
Niche height in mm max.	1950
Niche depth in mm	550
Appliance width in mm	559
Appliance height in mm	1938
Appliance depth in mm	546
Weight in kg	71.7
Door hinge technology	Fixed door
Max. door front weight – refrigerator, in kg	18
Max. door front weight – freezer, in kg	12
Climate class	SN-T
Refrigerator compartment in l	204
including PerfectFresh zone in l	71
4* freezer compartment in l	70
Total usable capacity in l	273
Storage time in case of fault in h	9
Freezer capacity in kg/24 h	6.00
Acoustic airborne noise emission class (A–D)	B
Sound emissions in dB(A) re 1 pW	33
Current consumption (mA)	1400
Voltage in V	220-240
Fuse rating in A	10
Number of phases	1
Frequency in Hz	50-60
Length of supply lead in m	2.2
Replacing lamps	Service
Accessories included	
Egg tray	•
Ice cube tray	•

KFN 7844 C

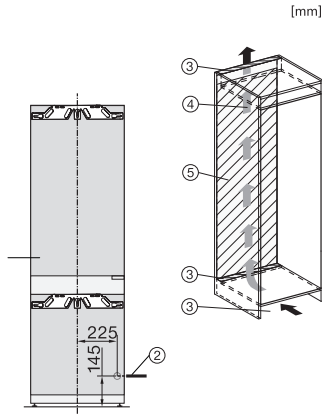
Built-in fridge-freezer combination

with PerfectFresh Pro and NoFrost in 194 cm height for a lot of storage space.



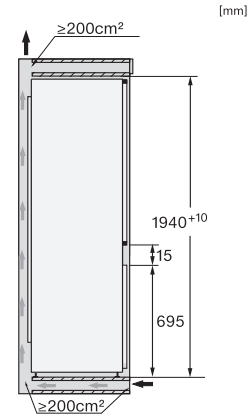
KFN7844C, built-in (footnote*) (drawings)

*The declared energy consumption was calculated in a 560 mm deep niche. The appliance is fully functional in a 550 mm niche but the energy consumption will be slightly higher.



KFN7844C, installation (footnote*) (drawings)

*1. View from the front, 2. Mains connection cable, L = 2100 mm, 3. Ventilation cut-out min. 200 cm², 4. Ventilation, 5. No connections permitted in this area



KFN7844C, side view (drawings)