

G 5410 SC Front Active Plus  
Freestanding dishwashers  
for optimum drying results thanks to AutoOpen drying.



- Perfect results in less than one hour – QuickPowerWash
- Innovative design and maximum convenience – 3D MultiFlex Tray
- Fresh water dishwashers – from 6.0 l in the Automatic programme
- Save up to 50 % more electricity – hot water connection
- Versatile and secure – comfort basket design



EAN: 4002516835448 / Material number: 12656360 / Old Material Number: 21541018GB

<b>Model</b>	
Freestanding dishwasher	•
60 cm dishwasher	•
<b>Design</b>	
Control panel colour	CleanSteel front
Control panel version	Straight fascia
Control type	Programme selector button
Display	3-digit 7-segment display
Display colour	White
<b>Convenience</b>	
Door closing aid	ComfortClose
Time left display	•
Delay start up to 24 hours	•
In-operation indicator light	Display
<b>Efficiency and sustainability</b>	
Energy efficiency class (A–G)	B
Water consumption in the Automatic programme in l from	6.0
Water consumption of the ECO programme in litres per programme cycle	8.4
Electricity consumption in the ECO programme in kWh	0.64
Energy consumption of the ECO programme in kWh after 100 programme cycles	64
Consumption value in kWh in the ECO programme with hot water connection	0.40
Duration of ECO programme in minutes	199
Noise emission class	B
Noise emissions in dB(A)	44
EcoPower Technology	•
Proven hygiene	•
Hot water connection	•
Half load	•
<b>Quality of results</b>	
Fresh water dishwasher	•
SensorDry	•
Recirculation Turbothermic drying	•
Active condensation drying	•
BrilliantGlassCare	•
<b>Wash programmes</b>	
QuickPowerWash	•
ECO	•
Automatic	•
Intensive 75 °C	•
Gentle	•
<b>Dishwashing options</b>	
Express	•
Extra Clean	•
Extra dry	•
<b>Basket design</b>	
Cutlery loading	3D MultiFlex tray
FlexCare cup rack	1
Basket design	Comfort

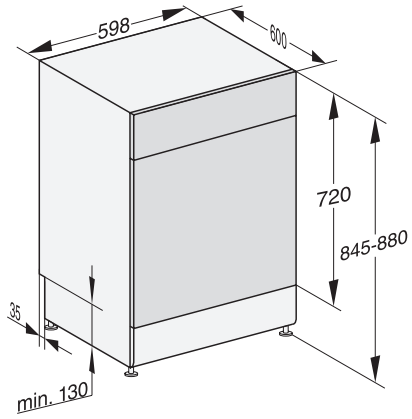
G 5410 SC Front Active Plus  
Freestanding dishwashers  
for optimum drying results thanks to AutoOpen drying.



EAN: 4002516835448 / Material number: 12656360 / Old Material Number: 21541018GB

Number of place settings	14
<b>Safety</b>	
Waterproof system	•
Safety lock	•
<b>Technical data</b>	
Niche width minimal in mm	600
Niche width max in mm	600
Niche height minimal in mm	845
Niche height maximal in mm	880
Niche depth in mm	600
Appliance width in mm	598
Appliance height in mm	845
Appliance depth in mm	600
Depth with door open in cm	119.5
Net weight in kg	55.5
Total rated load in kW	2.00
Voltage in V	230
Fuse rating in A	10
Number of phases	1
Electrical frequency standard	50
Length of water inlet hose in m	1.50
Length of water drain hose in m	1.50
Length of supply lead in m	1.70
<b>Accessories included</b>	
1 x UltraTabs box (20 tabs)	•
Voucher for 1 x box of UltraTabs (20 tabs) or 9 boxes at a reduced price	•

G 5410 SC Front Active Plus  
Freestanding dishwashers  
for optimum drying results thanks to AutoOpen drying.



G7000, free standing dishwasher, 60cm (installation drawing)