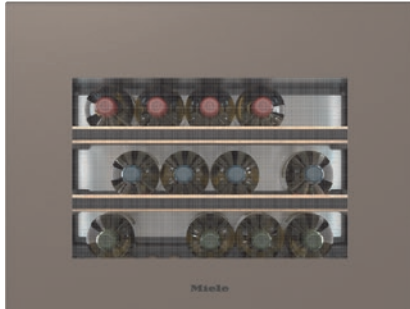


## KWT 7112 iG

Built-in wine conditioning unit

with FlexiFrame Plus and Push2open for the most demanding wine connoisseurs.



- Great storage of larger wine bottles thanks to FlexiFrame Plus
- Perfect design for handleless kitchens – Push2open
- Odourless refrigeration section thanks to Active AirClean filters
- Present your wine in the perfect light – LED lighting
- Optimum wine protection through UV filters in tinted glass front



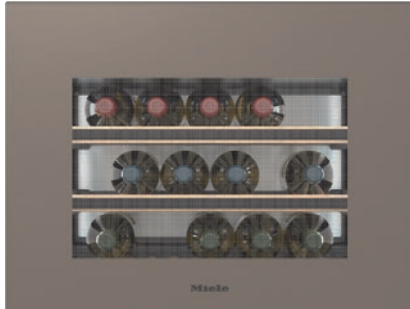
EAN: 4002516813392 / Material number: 12615940 / Old Material Number: 36711204EU1

<b>Appliance category</b>	
Wine conditioning unit	•
<b>Construction type</b>	
Built-in appliance	•
Integrated appliance	•
Door hinge	Bottom
<b>Design</b>	
Front colour	Pearl beige
Wine compartment lighting	LED illumination
<b>User convenience</b>	
Networking with Miele@home	•
Accessories required	XKS 3130 W, XKV 3000 KF
DynaCool	•
SoftClose	•
Concealed door opener	Push2open
Push2open	•
Number of shelves	3
Shelf material	Beechwood
Number of FlexiFrame racks	2
Number of FlexiFrame Plus wooden racks	2
Low-vibration storage	•
<b>Control system</b>	
Operating concept	TouchControl
Independent temperature regulation of fridge and freezer zones	No
No. of temperature zones	1
Min. temperature setting range in °C	5
Max. temperature setting range in °C	20
<b>Efficiency and sustainability</b>	
Energy efficiency class (A–G)	G
Annual energy consumption in kWh	115.71
Energy consumption in 24 h in kWh	0.31
<b>Safety</b>	
Lock function	•
Acoustic door alarm	•
Acoustic temperature alarm	•
Optical door alarm	•
Optical temperature alarm	•
<b>Technical data</b>	
Niche width in mm min.	560
Niche width in mm max.	570
Niche height in mm min.	450
Niche height in mm max.	452
Niche depth in mm	550
Appliance width in mm	595
Appliance height in mm	455
Appliance depth in mm	559
Weight in kg	36.0
Door hinge technology	Fixed door
Climate class	SN-ST

KWT 7112 iG

Built-in wine conditioning unit

with FlexiFrame Plus and Push2open for the most demanding wine connoisseurs.



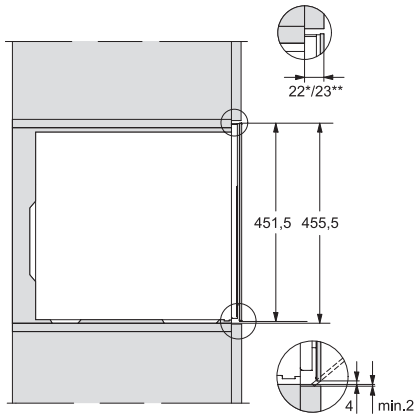
EAN: 4002516813392 / Material number: 12615940 / Old Material Number: 36711204EU1

Refrigerator compartment in l	47
Wine compartment in l	47
Total usable capacity in l	46
0.75 l Bordeaux bottle capacity (no. of bottles)	18 bottles
Acoustic airborne noise emission class (A-D)	B
Sound emissions in dB(A) re 1 pW	32
Current consumption (mA)	500
Voltage in V	220-240
Fuse rating in A	10
Number of phases	1
Frequency in Hz	50
Length of supply lead in m	2.2
<b>Accessories included</b>	
Active AirClean filter	•

## KWT 7112 iG

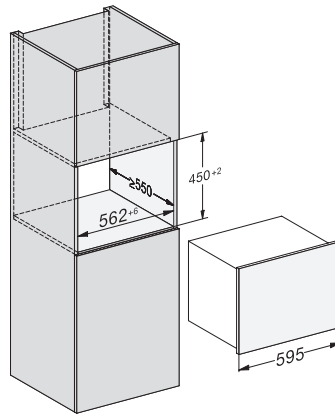
Built-in wine conditioning unit

with FlexiFrame Plus and Push2open for the most demanding wine connoisseurs.

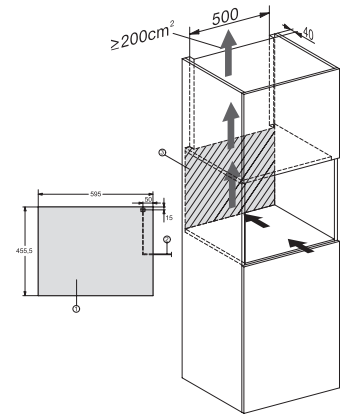


KWT7112 iG, \*Footnote (Sketch)

\* Appliances with glass front, \*\* Appliances with metal front,

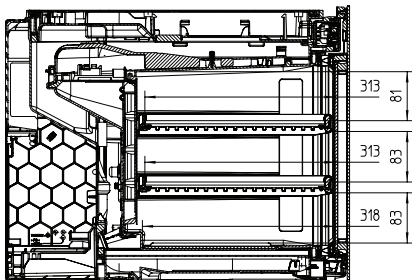


KWT7112 iG (Sketch)



KWT7112 iG, \*Footnote (Sketch)

\* Appliances with glass front, \*\* Appliances with metal front, 1) Front view, 2) Mains connection cable, L=2200 mm, 3) No connection in this area,



KWT7112iG, KWT6112iG, Interior dimensions (Installation drawings)