

KM 7576-2 FL MattFinish
 Induction hob with onset controls
 Induction hob with onset controls



- Elegant surface for a unique kitchen design – MattFinish
- Fast, intuitive selection using numerical displays – Smart Select White
- 6 cooking zones incl. 3 high-power PowerFlex cooking areas
- A width of 800 mm for surface-mounted or flush-fit installation
- Networking with Con@ctivity and Miele@home

EAN: 4002516785637 / Material number: 12527300 / Old Material Number: 26757673GB

Heating type	
Heating type	Induction
Construction type	
Independent of cooker	•
Design	
Elegant glass ceramic surface	•
Flush	•
Scratch-resistant surface	MattFinish
Ceramic surface colour	Matt black
Anti-fingerprint effect	•
Surface-mounted installation	•
Cooking zone details	
Number of cooking zones	6
Number of cooking areas	3
Maximum number of pans	6
PowerFlex cooking zones	
No.	6
Type	PowerFlex cooking zone
Diameter in mm	Ø 150 – 230
Rating in W	2100
Booster in W	3000
TwinBooster in W	3650
1st cooking zone/cooking area	
Position	Left
Type	PowerFlex bridge
Size in mm	230x390
Max. Booster power rating in W	3400
Max. rating in W	3150
Max. TwinBooster power rating in W	3650
2nd cooking zone/cooking area	
Position	Centred
Type	PowerFlex bridge
Size in mm	230x390
Max. Booster power rating in W	4800
Max. rating in W	3400
Max. TwinBooster power rating in W	7300
3rd cooking zone/cooking area	
Position	right
Type	PowerFlex bridge
Size in mm	230x390
Max. Booster power rating in W	4800
Max. rating in W	3400
Max. TwinBooster power rating in W	7300
User convenience	
Miele@home	•
Operation via sensor controls	Smart Select White
Automatic function Con@ctivity	•
Pan and pan size recognition	•
Display colour	White
Auto heat-up	•

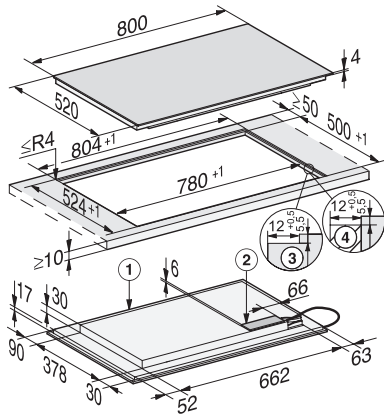
KM 7576-2 FL MattFinish
 Induction hob with onset controls
 Induction hob with onset controls



EAN: 4002516785637 / Material number: 12527300 / Old Material Number: 26757673GB

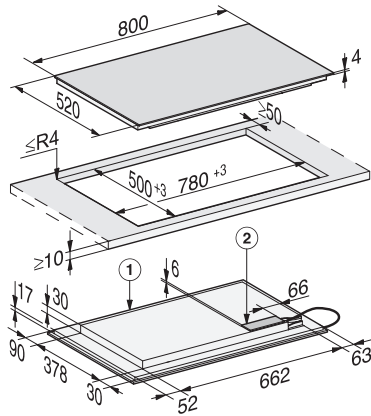
Stop & Go function	•
Recall function	•
Safety switch-off	•
Permanent pan recognition	•
Individual setting options (e.g. buzzers)	•
Wipe protection	•
Minute minder	•
Keeping warm	•
Efficiency and sustainability	
Power rating in off mode in W	0.5
Power rating in standby mode in W	1.0
Power rating in networked standby in W	2.0
Time until automatic switch to off mode in min	20
Time until automatic switch to standby in min	20
Time until automatic switch to networked standby in min	20
Cleaning and care	
Easy to clean ceramic glass	•
Safety	
Safety switch-off	•
Lock function	•
System lock	•
Integrated cooling fan	•
Overheating protection	•
Residual heat indicator	•
Technical data	
Dimensions in mm (width)	800
Dimensions in mm (height)	51
Dimensions in mm (depth)	520
Cutout dimensions in mm (width) with surface-mounted installation	780
Cutout dimensions in mm (depth) with surface-mounted installation	500
Casing height incl. connection box in mm	51
Internal cutout dimensions in mm (width) with flush installation	780
Internal cutout dimensions in mm (depth) with flush installation	500
Weight in kg	16
External cutout dimensions in mm (width) with flush installation	804
External cutout dimensions in mm (depth) with flush installation	524
Total rated load in kW	9.20
Length of supply lead in m	1.4
Voltage in V	230
Frequency in Hz	50-60
Accessories included	
Mains cable	Yes

KM 7576-2 FL MattFinish
 Induction hob with onset controls
 Induction hob with onset controls



KM7575-2FL, KM7576-2FL flush (installation drawing)

1) front, 2) Mains connection box, The mains connection cable (L = 1440 mm) is enclosed loose, 3) Step milling natural stone worktop, 4) Wooden strip 12 mm (no supplied accessories)



KM7575-2FL, KM7576-2FL surface mounted (installation drawing)

1) front, 2) Mains connection box, The mains connection cable (L = 1440 mm) is enclosed loose