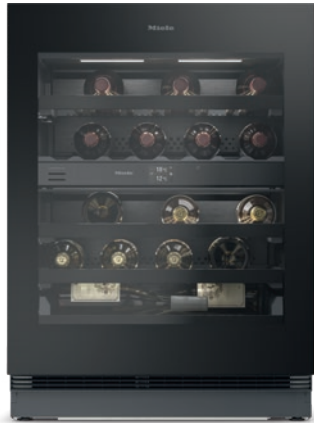


KWTUS 7096 E

Built-under wine conditioning unit with separate temperature zones, FlexiFrame and Push2open in a compact design.



- Perfect drinking and storage temperatures thanks to separate temperature zones
- Storage of all bottle sizes/shapes thanks to FlexiFrame
- Perfect regulation of humidity with ActiveHumidity
- Writing on the wooden shelves on the NoteBoard
- UV-resistant insulated glass



EAN: 4002516779438 / Material number: 12519560 /
Old Material Number: 39709610EU1

Construction type	
Integrated appliance	•
Undercounter appliance	•
Door hinge	right
Design	
Casing colour	black
Front colour	Obsidian Black glass
Wine compartment lighting	continuously dimmable LED
User convenience	
Networking with Miele@home	•
Concealed door opener	Push2open
Number of shelves	4
Shelf material	Beechwood
Number of FlexiFrame racks	3
Number of shelves for crosswise storage	1
SelfClose FlexiFrame	•
NoteBoard	Yes
Control system	
Operating concept	FreshTouch
Independent temperature regulation of fridge and freezer zones	No
No. of temperature zones	2
Min. temperature setting range in °C	5
Max. temperature setting range in °C	20
Fridge/Fridge section	
Dry back wall	BlackSteel
ActiveHumidity	•
Efficiency and sustainability	
Energy efficiency class (A–G)	E
Annual energy consumption in kWh	83.20
Energy consumption in 24 h in kWh	0.22
Technical data	
Niche width in mm min.	600
Niche width in mm max.	600
Niche height in mm min.	820
Niche height in mm max.	880
Niche depth in mm	580
Appliance width in mm	597
Appliance height in mm	819
Appliance depth in mm	579
Weight in kg	51.0
Door hinge technology	Fixed door
Climate class	SN-ST
Refrigerator compartment in l	95
Total usable capacity in l	95
0.75 l Bordeaux bottle capacity (no. of bottles)	32 bottles
Acoustic airborne noise emission class (A–D)	B

KWTUS 7096 E

Built-under wine conditioning unit

with separate temperature zones, FlexiFrame and Push2open in a compact design.



EAN: 4002516779438 / Material number: 12519560 /

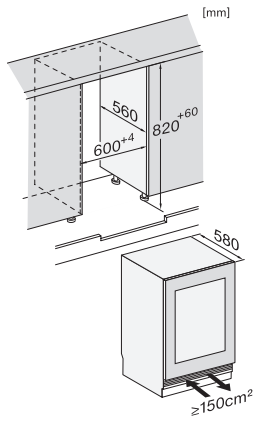
Old Material Number: 39709610EU1

Sound emissions in dB(A) re 1 pW	32
Current consumption (mA)	1500
Voltage in V	220-240
Fuse rating in A	10
Number of phases	1
Frequency in Hz	50-60
Length of supply lead in m	2.2

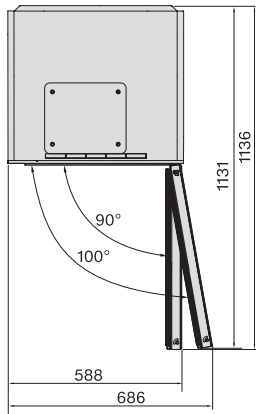
KWTUS 7096 E

Built-under wine conditioning unit

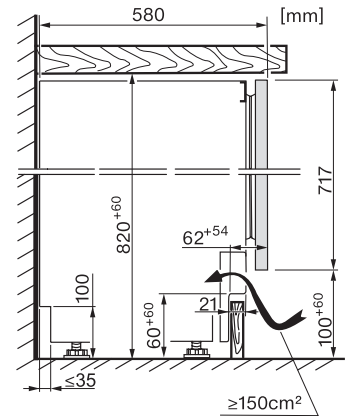
with separate temperature zones, FlexiFrame and Push2open in a compact design.



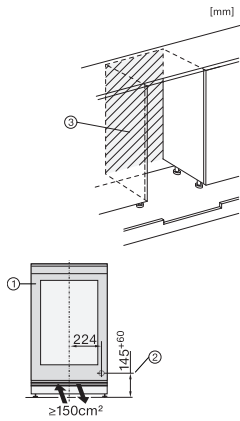
KWTUS7054F, KWTUS7055F, KWTUS7074F, KWTUS7096E, Built-under, Einbauskizze, Nischenmaß (installation drawings)



KWTUS7196E, KWTUS7096E, Built-under, top view (installation drawings)



KWTUS7096E, Built-under, side view (installation drawings)



KWTUS7054F, KWTUS7055F, KWTUS7074F, KWTUS7096E, KWTUS7196E, Built-under, side view (*footnote) (installation drawings)

*1. View from the front, 2. Mains connection cable, L = 2200 mm, 3. No connection in this area