

## FNUS 7040 D

Built-under freezer

with NoFrost, SoftClose and SuperFreeze in a compact design.



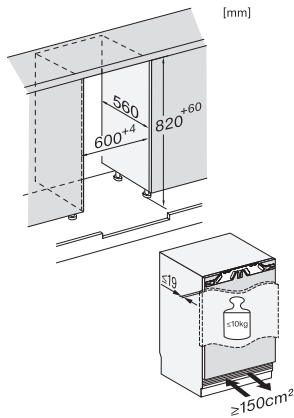
- No icing up of food and no need to defrost thanks to NoFrost
- Soft closing of the door with SoftClose
- Food is frozen quickly and gently – SuperFreeze
- Flexible increase in freezer volume – VarioRoom



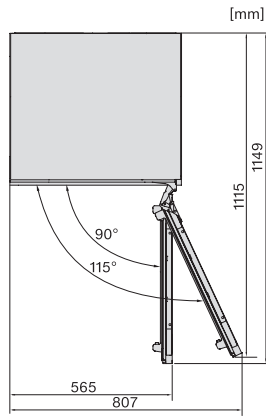
EAN: 4002516779322 / Material number: 12519380 /  
Old Material Number: 37704010EU1

|  |            |
|--|------------|
| <b>Construction type</b>                                       |            |
| Integrated appliance   | •          |
| Undercounter appliance   | •          |
| Door hinge   | right      |
| <b>Design</b>  |            |
| Freezer compartment lighting                                   | LED        |
| <b>User convenience</b>  |            |
| Networking with Miele@home                                     | •          |
| <b>Control system</b>  |            |
| Operating concept  | FreshTouch |
| Independent temperature regulation of fridge and freezer zones | No         |
| No. of temperature zones                                       | 1          |
| <b>Efficiency and sustainability</b>                           |            |
| Energy efficiency class (A–G)                                  | D          |
| Annual energy consumption in kWh                               | 149.70     |
| Energy consumption in 24 h in kWh                              | 0.41       |
| <b>Technical data</b>  |            |
| Niche width in mm min.   | 600        |
| Niche width in mm max.   | 600        |
| Niche height in mm min.  | 820        |
| Niche height in mm max.  | 880        |
| Niche depth in mm  | 560        |
| Appliance width in mm  | 597        |
| Appliance height in mm   | 818        |
| Appliance depth in mm  | 550        |
| Weight in kg   | 34.0       |
| Door hinge technology  | Fixed door |
| Max. door front weight – refrigerator, in kg                   | 10         |
| Climate class  | SN-T       |
| 4* freezer compartment in l                                    | 74         |
| Total usable capacity in l                                     | 74         |
| Storage time in case of fault in h                             | 12         |
| Freezer capacity in kg/24 h                                    | 8.20       |
| Acoustic airborne noise emission class (A–D)                   | B          |
| Sound emissions in dB(A) re 1 pW                               | 32         |
| Current consumption (mA)                                       | 2000       |
| Voltage in V   | 220-240    |
| Fuse rating in A   | 10         |
| Number of phases   | 1          |
| Frequency in Hz  | 50-60      |
| Length of supply lead in m                                     | 2.2        |
| <b>Accessories included</b>                                    |            |
| Ice cube tray  | •          |

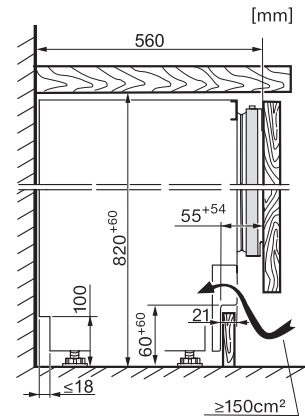
FNUS 7040 D  
Built-under freezer  
with NoFrost, SoftClose and SuperFreeze in a compact design.



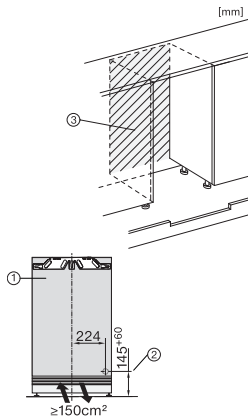
KU7016D, KU7015D, KU7035D, FNUS7040D, Built-under, Einbauskizze, Nischenmaß (installation drawings)



KU7016D, KU7015D, KU7035D, KU7135C, FNUS7040D, FNUS7140C, Built-under, top view (installation drawings)



KU7016D, KU7015D, KU7035D, FNUS7040D, Built-under, side view (installation drawings)



KU7016D, KU7015D, KU7035D, KU7135C, FNUS7140C, Built-under, installation drawing (\*footnote) (installation drawings)

\*1. View from the front, 2. Mains connection cable, L = 2200 mm, 3. No connection in this area