

KU 7030 D

Built-under refrigerator

with LED lighting, DynaCool and ComfortClean in a compact design.



- Optimum and maintenance-free LED
- Uniform temperature distribution inside the appliance – DynaCool
- Dishwasher-proof door shelves – ComfortClean
- Cool food down quickly thanks to SuperCool
- Soft closing of the door with SoftClose



EAN: 4002516779230 / Material number: 12519150 /
Old Material Number: 36703010EU1

Appliance category	
Refrigerator	•
Construction type	
Integrated appliance	•
Undercounter appliance	•
Door hinge	Pull-out front
Design	
Refrigeration section lighting	LED
User convenience	
Networking with Miele@home	•
DynaCool	•
SoftClose	•
Control system	
Operating concept	FreshTouch
Independent temperature regulation of fridge and freezer zones	No
SuperCool	•
No. of temperature zones	1
Sabbath mode	•
Holiday mode	•
Fridge/Fridge section	
No. of shelves	3
Efficiency and sustainability	
Energy efficiency class (A–G)	D
Annual energy consumption in kWh	73.90
Energy consumption in 24 h in kWh	0.20
Safety	
Lock function	•
Acoustic door alarm	•
Optical door alarm	•
Technical data	
Niche width in mm min.	600
Niche width in mm max.	600
Niche height in mm min.	820
Niche height in mm max.	880
Niche depth in mm	560
Appliance width in mm	597
Appliance height in mm	818
Appliance depth in mm	550
Weight in kg	39.0
Max. door front weight – refrigerator, in kg	10
Climate class	SN-T
Refrigerator compartment in l	125
Total usable capacity in l	124
Acoustic airborne noise emission class (A–D)	B
Sound emissions in dB(A) re 1 pW	32
Current consumption (mA)	2000
Voltage in V	220-240

KU 7030 D

Built-under refrigerator

with LED lighting, DynaCool and ComfortClean in a compact design.

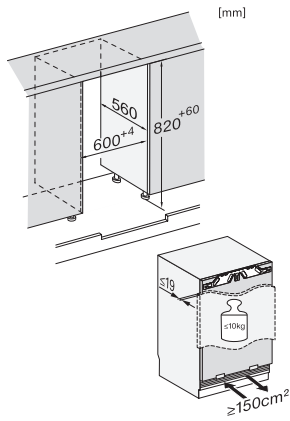


EAN: 4002516779230 / Material number: 12519150 /
Old Material Number: 36703010EU1

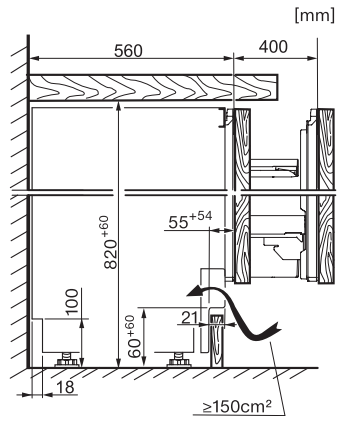
Fuse rating in A	10
Number of phases	1
Frequency in Hz	50-60
Length of supply lead in m	2.2
Replacing lamps	Service
Accessories included	
Egg tray	•

KU 7030 D

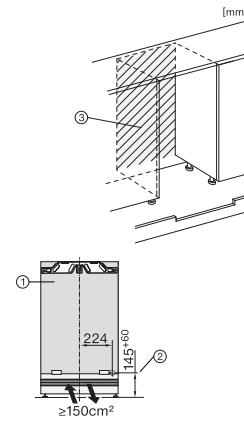
Built-under refrigerator
with LED lighting, DynaCool and ComfortClean in a compact design.



KU7030D, Built-under, Einbauskizze, Nischenmaß (installation drawings)



KU7030D, Built-under, side view (installation drawings)



KU7030D, Built-under, installation drawing (*footnote) (installation drawings)

*1. View from the front, 2. Mains connection cable, L = 2200 mm, 3. No connection in this area