

KU 7016 D

Built-under refrigerator

with LED lighting, freezer compartment, split door shelves in a compact design.



- Optimum and maintenance-free LED
- Integrated 4 freezer compartment
- Flexible inner door – split door shelves
- Dishwasher-proof door shelves – ComfortClean
- Cool food down quickly thanks to SuperCool



EAN: 4002516779100 / Material number: 12519090 /  
Old Material Number: 36701610EU1

<b>Appliance category</b>	
Refrigerator	•
<b>Construction type</b>	
Built-in appliance	•
Integrated appliance	•
Undercounter appliance	•
Door hinge	right
Convertible door hinging	•
<b>Design</b>	
Refrigeration section lighting	LED
<b>User convenience</b>	
Networking with Miele@home	•
ComfortClean	•
ComfortFrost	•
<b>Control system</b>	
Operating concept	EasyControl
Independent temperature regulation of fridge and freezer zones	No
SuperCool	•
No. of temperature zones	2
Sabbath mode	•
<b>Fridge/Fridge section</b>	
No. of shelves	2
Number of inner door racks for tinned food	2
Door rack for bottles	1
Door shelves	3
<b>Efficiency and sustainability</b>	
Energy efficiency class (A–G)	D
Annual energy consumption in kWh	115.20
Energy consumption in 24 h in kWh	0.31
<b>Safety</b>	
Acoustic door alarm	•
Optical door alarm	•
<b>Technical data</b>	
Niche width in mm min.	600
Niche width in mm max.	600
Niche height in mm min.	820
Niche height in mm max.	880
Niche depth in mm	560
Appliance width in mm	597
Appliance height in mm	818
Appliance depth in mm	550
Weight in kg	36.0
Door hinge technology	Fixed door
Max. door front weight – refrigerator, in kg	10
Climate class	N-ST
Refrigerator compartment in l	92
4* freezer compartment in l	14

KU 7016 D

Built-under refrigerator

with LED lighting, freezer compartment, split door shelves in a compact design.



EAN: 4002516779100 / Material number: 12519090 /  
Old Material Number: 36701610EU1

Total usable capacity in l	106
Storage time in case of fault in h	9
Freezer capacity in kg/24 h	2.00
Acoustic airborne noise emission class (A–D)	B
Sound emissions in dB(A) re 1 pW	34
Current consumption (mA)	2000
Voltage in V	220-240
Fuse rating in A	10
Number of phases	1
Frequency in Hz	50-60
Length of supply lead in m	2.2
Replacing lamps	Service

**Accessories included**

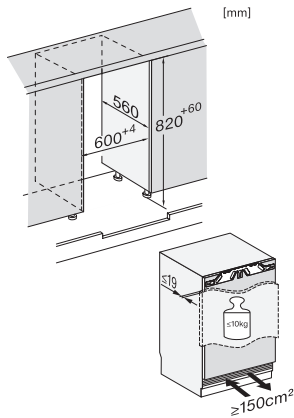
Egg tray

•

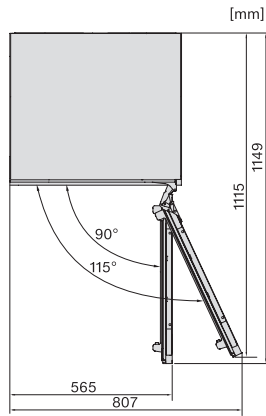
## KU 7016 D

Built-under refrigerator

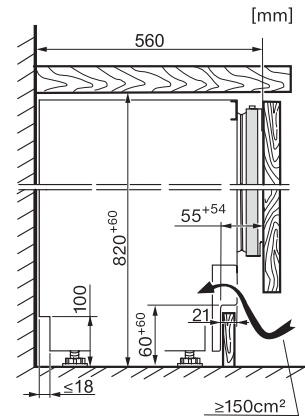
with LED lighting, freezer compartment, split door shelves in a compact design.



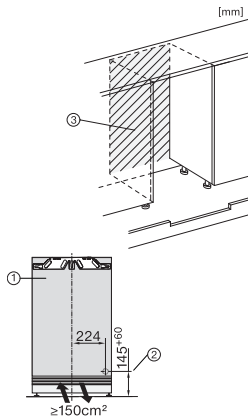
KU7016D, KU7015D, KU7035D, FNUS7040D, Built-under, Einbauskitze, Nischenmaß (installation drawings)



KU7016D, KU7015D, KU7035D, KU7135C, FNUS7040D, FNUS7140C, Built-under, top view (installation drawings)



KU7016D, KU7015D, KU7035D, FNUS7040D, Built-under, side view (installation drawings)



KU7016D, KU7015D, KU7035D, KU7135C, FNUS7140C, Built-under, installation drawing (\*footnote) (installation drawings)

\*1. View from the front, 2. Mains connection cable, L = 2200 mm, 3. No connection in this area