

KMDA 7876 FL-A MattFinish Induction hob with integrated vapour extraction



- The quietest TwoInOne from Miele – Silence motor
- Suitable for flexible extraction installations
- Ample space – 4 large cooking zones incl. 2 PowerFlex XL areas
- Networking with Con@ctivity and Miele@home
- Elegant surface for a unique kitchen design – MattFinish

A+

EAN: 4002516817178 / Material number: 12515460 / Old Material Number: 26787678GB

Construction type	
Induction hob with integrated vapour extraction	•
Operating modes	
Exhaust air guided with optional accessories	DFK-xxxx, DMK 150-1
Recirculation air guided with optional accessories	Exhaust air
Unguided recirculation air (Plug&Play installation)	No
Design	
Elegant glass ceramic surface	•
Flush	•
Scratch-resistant surface	MattFinish
Ceramic surface colour	Matt black
Anti-fingerprint effect	•
Frameless – surface-mounted	•
Flush fit extractor	•
Colour of cover grille	Black
Grease filter colour	Black
Cooking zone details	
Number of cooking zones	4
Number of cooking areas	2
Maximum number of pans	4
PowerFlex cooking zones	
No.	4
Type	PowerFlex XL cooking area
Diameter in mm	Ø 150 – 230
Rating in W	2100
Booster in W	3000
TwinBooster in W	3650
1st cooking zone/cooking area	
Position	Left
Type	PowerFlex XL cooking area
Size in mm	230x460
Max. Booster power rating in W	4800
Max. rating in W	3400
Max. TwinBooster power rating in W	7300
2nd cooking zone/cooking area	
Position	right
Type	PowerFlex XL cooking area
Size in mm	230x460
Max. Booster power rating in W	4800
Max. rating in W	3400
Max. TwinBooster power rating in W	7300
User convenience	
Miele@home	•
Operation via sensor controls	ComfortSelect White
Automatic function Con@ctivity	•
Digital power level display	•
Display colour	White
Auto heat-up	•
Keeping warm	•
Stop & Go function	•

KMDA 7876 FL-A MattFinish
Induction hob with integrated vapour extraction



EAN: 4002516817178 / Material number: 12515460 / Old Material Number: 26787678GB

Recall function	•
Safety switch-off	•
Permanent pan recognition	•
Individual setting options (e.g. buzzers)	•
Run-on time 5/15 min.	•
Wipe protection	•
Grease filter saturation indicator	•
Minute minder	•
Easy-to-clean canopy interior – CleanCover	•
Efficiency and sustainability	
Energy efficiency class (A+++ – D)	A+
ECO motor	•
Annual energy consumption in kWh/year	31.5
Fluid dynamic efficiency class	A
Lighting efficiency class	-
Grease filtering efficiency class	A
Cleaning and care	
Easy to clean ceramic glass	•
Filter system	
Number of dishwasher-safe stainless steel grease filters (10-ply)	1
Exhaust air	
Air throughput at min. level (m ³ /h) according to EN 61591	195
Air throughput at max. level (m ³ /h) according to EN 61591	530
Air throughput in Intensive level (m ³ /h) according to EN 61591	610
Air throughput in Booster level (m ³ /h) according to EN 61591	610
Sound power at min. level (dB(A) re 1 pW) according to EN 60704-3	41.0
Sound power at max. level (dB(A) re 1 pW) according to EN 60704-3	64.0
Sound power in Booster level (dB(A) re 1 pW) acc. to EN 60704-3	67.0
Sound pressure at min. level (dB(A) re 20 µPa) according to EN 60704-2-13	27.0
Sound power in Booster level (dB(A) re 1 pW) acc. to EN 60704-3	67.0
Sound pressure at max. level (dB(A) re 20 µPa) according to EN 60704-2-13	50.0
Noise pressure level in Intensive level (dB(A) re 20 µPa) according to EN 60704-2-13	53.0
Sound pressure in Booster level (dB(A) re 20 µPa) acc. to EN 60704-2-13	53.0
Safety	
Safety switch-off	•
Lock function	•
System lock	•
Integrated cooling fan	•
Overheating protection	•
Residual heat indicator	•
Connection for window contact switch	•

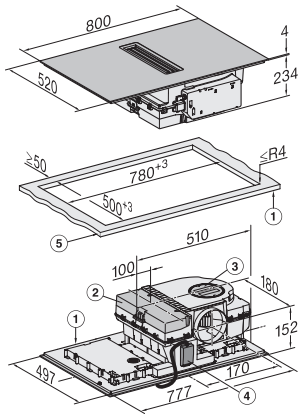
KMDA 7876 FL-A MattFinish
 Induction hob with integrated vapour extraction



EAN: 4002516817178 / Material number: 12515460 / Old Material Number: 26787678GB

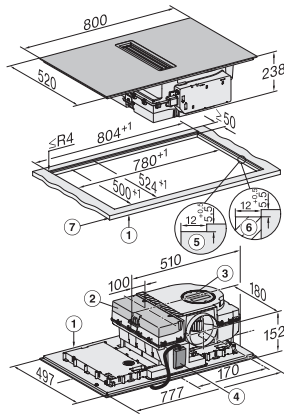
Technical data	
Dimensions in mm (width)	800
Dimensions in mm (height)	238
Dimensions in mm (depth)	520
Cutout dimensions in mm (width) with surface-mounted installation	780
Cutout dimensions in mm (depth) with surface-mounted installation	500
Casing height incl. connection box in mm	238
Internal cutout dimensions in mm (width) with flush installation	780
Internal cutout dimensions in mm (depth) with flush installation	500
Weight in kg	20
External cutout dimensions in mm (width) with flush installation	804
External cutout dimensions in mm (depth) with flush installation	524
Total rated load in kW	7.50
Voltage in V	230
Frequency in Hz	50-60
Length of supply lead in m	1.6
Accessories included	
Mains cable	Yes

KMDA 7876 FL-A MattFinish Induction hob with integrated vapour extraction



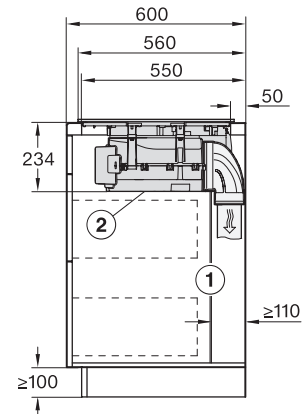
KMDA7676FL, KMDA7876FL – Installation drawing

1) Front, 2) Removable drip tray, 3) Cleaning flap, 4) Mains connection box with mains connection cable, L = 1600 mm, 5) Worktop thickness, Exhaust air and guided recirculation mode: ≥ 10 mm, Plug&Play operation: ≥ 10 mm – ≤ 40 mm



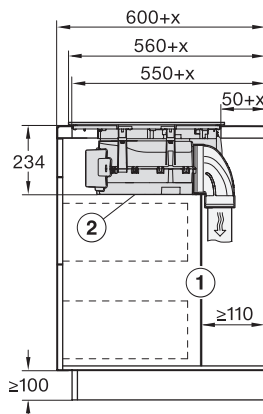
KMDA7676FL, KMDA7876FL – flush – Installation drawing

1) Front, 2) removable drip tray, 3) cleaning flap, 4) Mains connection box with mains connection cable, L = 1600 mm, 5) Step milling natural stone worktop, 6) Wooden strip 12 mm (not included in delivery), 7) Worktop thickness, Exhaust air and guided recirculation mode: ≥ 10 mm, Plug&play operation: ≥ 10 mm – ≤ 40 mm



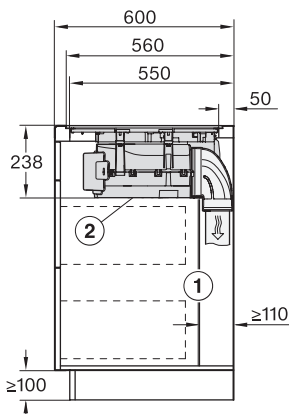
KMDA7676FL, KMDA7876FL – Side view lying on top – Installation drawing

The rear wall of the cabinet must be removable for servicing. A minimum distance of 110 mm must be maintained for routing the exhaust air duct between the cabinet wall and an adjacent room wall or furniture., The removable collection tray and the cleaning flap must be accessible after installation.



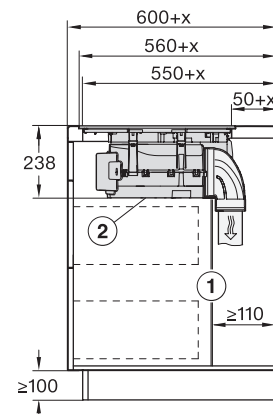
KMDA7676FL, KMDA7876FL – Side view lying on top+X – Installation drawing

The rear wall of the cabinet must be removable for servicing. A minimum distance of 110 mm must be maintained for routing the exhaust air duct between the cabinet wall and an adjacent room wall or furniture., The removable collection tray and the cleaning flap must be accessible after installation., , x Dimension by which the worktop depth is greater than 600 mm.



KMDA7676FL, KMDA7876FL – Side view flush – Installation drawing

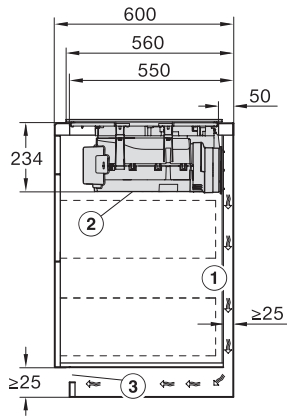
The rear wall of the cabinet must be removable for servicing. A minimum distance of 110 mm must be maintained for routing the exhaust air duct between the cabinet wall and an adjacent room wall or furniture., The removable collection tray and the cleaning flap must be accessible after installation.



KMDA7676FL, KMDA7876FL – Side view flush+X – Installation drawing

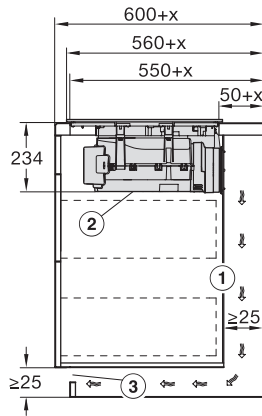
The rear wall of the cabinet must be removable for servicing. A minimum distance of 110 mm must be maintained for routing the exhaust air duct between the cabinet wall and an adjacent room wall or furniture., The removable collection tray and the cleaning flap must be accessible after installation., , x Dimension by which the worktop depth is greater than 600 mm.

KMDA 7876 FL-A MattFinish Induction hob with integrated vapour extraction



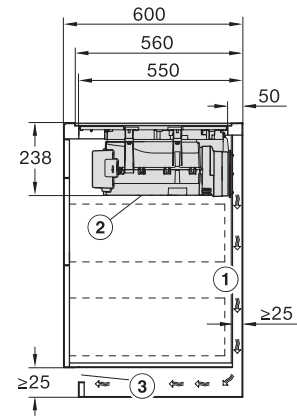
KMDA7676FL, KMDA7876FL – Side view lying on top, Plug&Play – Installation drawing

A minimum distance of 25 mm must be maintained for routing the exhaust air duct between the cabinet wall and an adjacent room wall or furniture., The removable collection tray and the cleaning flap must be accessible after installation., The cross-section of the vent opening must be at least 425 cm².



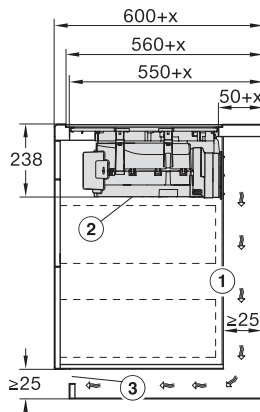
KMDA7676FL, KMDA7876FL – Side view lying on top+X, Plug&Play – Installation drawing

A minimum distance of 25 mm must be maintained for routing the exhaust air duct between the carcass wall and an adjacent room wall or furniture. If the carcass rear wall is > 555 mm from the worktop front, the Plug&Play adapter must be extended with a supplementary set from Miele., The removable drip tray and the cleaning flap must be accessible after installation., The cross-section of the vent opening must be at least 425 cm²., , x Dimension by which the worktop depth is greater than 600 mm.



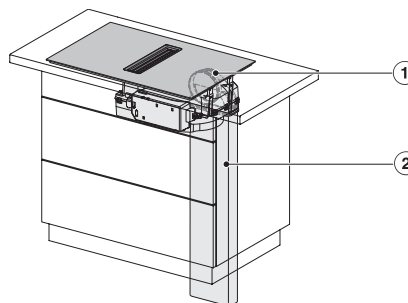
KMDA7676FL, KMDA7876FL – Side view flush, Plug&Play – Installation drawing

A minimum distance of 25 mm must be maintained for routing the exhaust air duct between the cabinet wall and an adjacent room wall or furniture., The removable collection tray and the cleaning flap must be accessible after installation., The cross-section of the ventilation opening must be at least 425 cm².



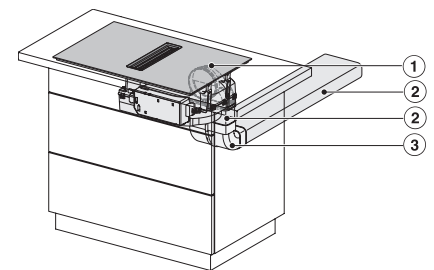
KMDA7676FL, KMDA7876FL – Side view flush+X, Plug&Play – Installation drawing

A minimum distance of 25 mm must be maintained for routing the exhaust air duct between the carcass wall and an adjacent room wall or furniture. If the carcass rear wall is > 555 mm from the worktop front, the Plug&Play adapter must be extended with a supplementary set from Miele., The removable drip tray and the cleaning flap must be accessible after installation., The cross-section of the vent opening must be at least 425 cm²., , x Dimension by which the worktop depth is greater than 600 mm.



KMDA7676FL, KMDA7876FL – Installation variant 1 Basis -drawing

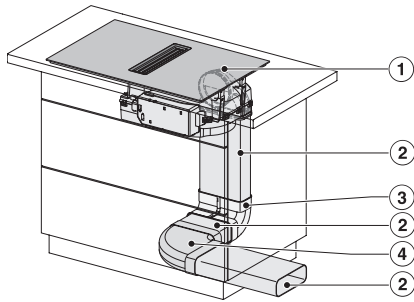
1) DFK-AK 90, 2) DFK-R 1000



KMDA7676FL, KMDA7876FL – Installation variant 2 Basis - drawing

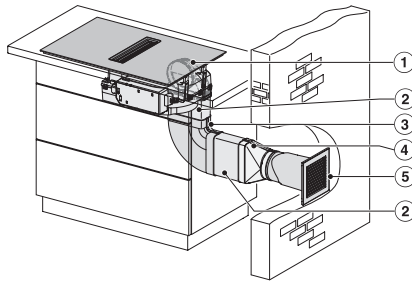
1) DFK-AK 90, 2) DFK-R 1000, 3) DFK-BV 90

KMDA 7876 FL-A MattFinish Induction hob with integrated vapour extraction



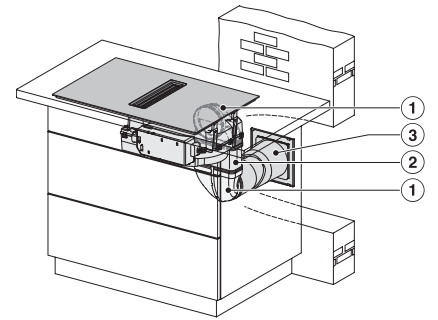
KMDA7676FL, KMDA7876FL -Installation variant 3 Basis – drawing

1) DFK-AK 90, 2) DFK-R 1000, 3) DFK-BV 90, 4) DFK-BH 90



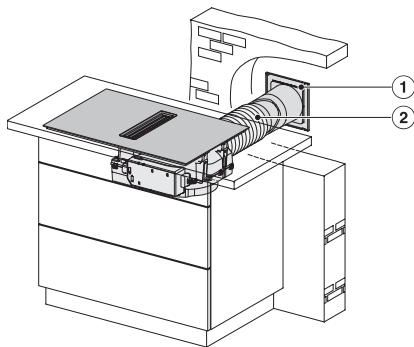
KMDA7676FL, KMDA7876FL – Installation variant 9 Exhaust air – drawing

1) DFK-AK 90, 2) DFK-R 1000, 3) DFK-BH 90, 4) DFK-A, 5) DMK 150-1



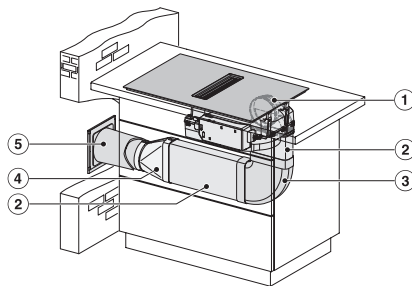
KMDA7676FL, KMDA7876FL – Installation variant 10 Exhaust air – drawing

1) DFK-AK 90, 2) DFK-R 1000, 3) DMK 150-1



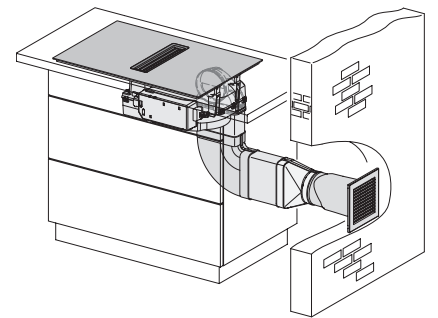
KMDA7676FL, KMDA7876FL – Installation variant 11 Exhaust air – drawing

1) DMK 150-1, 2) Flex hose



KMDA7676FL, KMDA7876FL – Installation variant 12 Exhaust air – drawing

1) DFK-AK 90, 2) DFK-R 1000, 3) DFK-BH 90, 4) DFK-A, 5) DMK 150-1



KMDA7676FL/FR, KMDA7876FL/FR, Exhaust air (Installation drawing)