

WSB383 WCS 125 Edition  
W1 front-loader washing machine  
with A -20 %, SteamCare and PowerWash for excellent laundry care.



- Tested for 20 years of perfect laundry care
- Save even more energy with A -20 %\*
- SteamCare reduces ironing time by up to 50 % and freshens up your clothes
- QuickPowerWash ensures fast, efficient results in just 49 minutes
- Miele@home – clever networking opens up new possibilities\*\*

\* 20 % more economical than the threshold value (52) for energy efficiency class A

\*\* Additional digital offer from Miele & Cie. KG. All smart applications are made possible with the Miele@home system. The range of functions can vary depending on the model and the country.



EAN: 4002516766834 / Material number: 12453930 / Old Material Number: 11SB3831GB

<b>Anniversary promotion</b>	
Anniversary models 125	•
<b>Construction type</b>	
Suitable for stacking	•
Side-by-side	•
Slot-in	•
Door hinge	right
<b>Model</b>	
Product brand	W1 White Edition
Front-loader	•
<b>Spinning</b>	
Max. spin speed	1400
Rinse hold	•
Without spin function	•
<b>Design</b>	
Appliance colour	Lotus white
Control panel colour	Lotus white
Door design	Lotus white
Rotary selector colour	Lotus White
Control panel version	5° inclined
Control type	Rotary control
Display	DirectSensor yellow, 7 segment
<b>Cleaning performance</b>	
Innovative PowerWash technology	•
CapDosing portioned dispensing	•
<b>Gentle laundry care</b>	
Honeycomb drum	•
Load in kg	8,0
<b>User convenience</b>	
Networking with Miele@home	•
SteamCare steam system	•
Delay start up to 24 hours	•
Time left display	•
AutoClean detergent drawer	•
AddLoad	•
<b>Efficiency and sustainability</b>	
Energy efficiency class (A–G)	A
More economical than the threshold value (52) for energy efficiency class A	20%
Weighted energy consumption per 100 operating cycles for the wash cycle in kWh	38
Weighted water consumption per cycle in l	48
Spin efficiency class	B
Acoustic airborne noise emission class (spin cycle)	A
Sound emissions during spin cycle in dB(A) re 1 pW	72
Duration of the "ECO 40–60" programme at nominal capacity	219
Power rating in off mode in W	0.30
Power rating in networked standby in W	0.60
Low temperature wash "Cold" and "20 °C"	•

WSB383 WCS 125 Edition

W1 front-loader washing machine

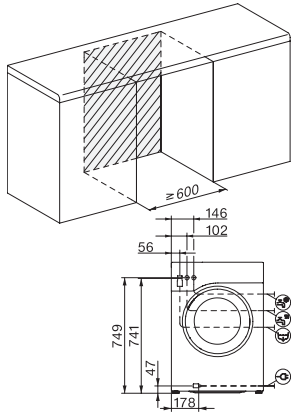
with A -20 %, SteamCare and PowerWash for excellent laundry care.



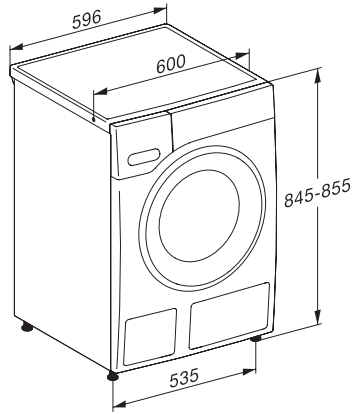
EAN: 4002516766834 / Material number: 12453930 / Old Material Number: 11SB3831GB

Flow meter	•
Foam sensing	•
ProfiEco motor	•
<b>Wash programmes</b>	
QuickPowerWash	•
Cottons (coloureds)	•
Minimum iron	•
Delicates	•
Shirts	•
Woollens (hand-washable)	•
Express 20	•
Dark garments / Denim	•
Freshen up (steam)	•
Drain / Spin	•
ECO 40-60	•
<b>Washing extras</b>	
Short	•
Pre-wash	•
Water plus	•
Additional rinse cycle	•
Steam smoothing	•
Pre-ironing with steam	•
Buzzer	•
<b>Safety</b>	
Water protection system	Watercontrol-System
Safety lock	•
PIN-Code	•
Optical interface	•
<b>Technical data</b>	
Dimensions in mm (width)	596
Dimensions in mm (height)	850
Dimensions in mm (depth)	636
Appliance depth in mm with opened door	1054
Appliance depth excluding door (for building-under) in mm	600
Weight in kg	80
Total rated load in kW	2.10-2.40
Voltage in V	220-240
Fuse rating in A	10
Frequency in Hz	50
Length of supply lead in m	2

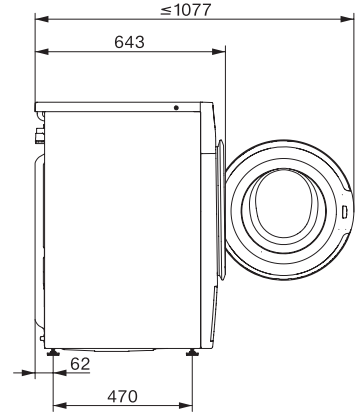
WSB383 WCS 125 Edition  
W1 front-loader washing machine  
with A -20 %, SteamCare and PowerWash for excellent laundry care.



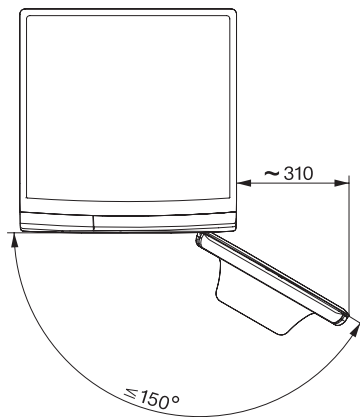
W1 drawing, facia 5 degree, measures in mm



W1 drawing, facia 5 degree, measures in mm



W1 drawing, facia 5 degree, measures in mm



W1 drawing, facia 5 degree, measures in mm