

KFN 7795 C

Built-in fridge-freezer combination

PerfectFresh Active, Freeze&Cool and IceMaker for outstanding appearance.



- Fresh 5x longer with active humidification – PerfectFresh Active
- Flexible use of freezer – Freeze&Cool
- Ice cubes thanks to the IceMaker with fresh water connection
- Individually adjustable glass shelf lighting with FlexiLight 2.0
- No icing up of food and no need to defrost thanks to NoFrost
- Uniform temperature distribution inside the appliance – DynaCool



EAN: 4002516748229 / Material number: 12445210 / Old Material Number: 38779505EU1

Appliance category	
Fridge-freezer	•
Construction type	
Built-in appliance	•
Integrated appliance	•
Door hinge	right
Convertible door hinging	•
Design	
Refrigeration section lighting	FlexiLight 2.0
Freezer compartment lighting	LED
Fan lighting	•
Freshness system lighting	•
IceMaker lighting	•
User convenience	
Networking with Miele@home	•
Freshness system	PerfectFresh Active
Freeze & Cool	•
Active humidification in top drawer	•
Fine adjustment inner door	•
ComfortClean	•
DynaCool	•
NoFrost	•
DuplexCool	•
ComfortSize	•
VarioRoom	•
SoftClose	•
SelfClose	•
Ice cube maker with mains water connection (IceMaker)	•
Control system	
Operating concept	FreshTouch
Fridge compartment can be switched off	Yes
Independent temperature regulation of fridge and freezer zones	Yes
Automatic SuperCool	•
SuperFreeze	•
No. of temperature zones	3
Sabbath mode	•
Party mode	•
Holiday mode	•
Fridge/Fridge section	
No. of shelves	4
of which illuminated	2
No. of crisper drawers	2
Dry back wall	CleanSteel
FlexiTray	•
Number of inner door racks for tinned food	1
Door rack for bottles	1
Door shelves	2
Freezer/Freezer section	
Number of freezer drawers	3

KFN 7795 C

Built-in fridge-freezer combination

PerfectFresh Active, Freeze&Cool and IceMaker for outstanding appearance.



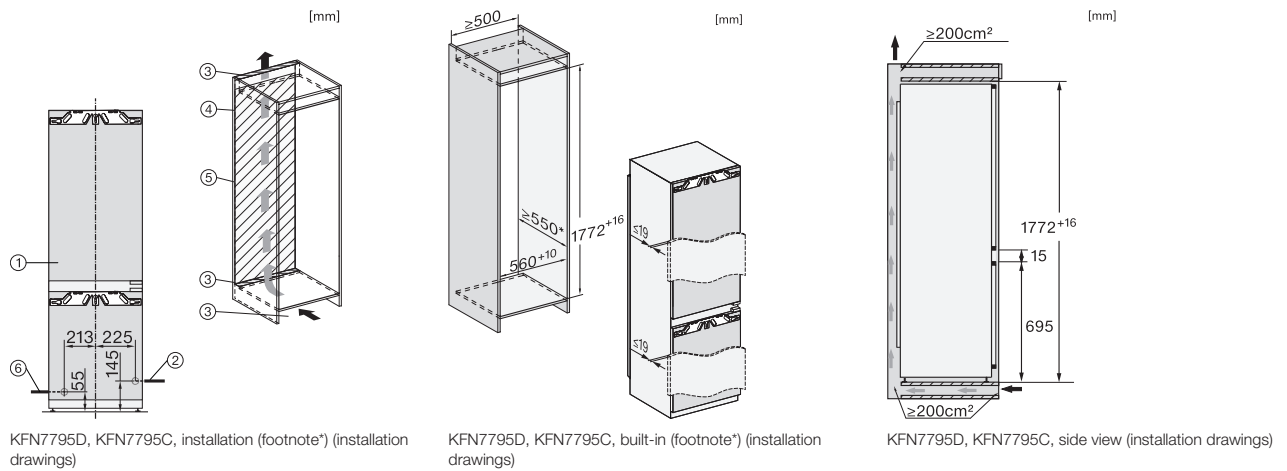
EAN: 4002516748229 / Material number: 12445210 / Old Material Number: 38779505EU1

of which on runners	2
Efficiency and sustainability	
Energy efficiency class (A–G)	C
Annual energy consumption in kWh	166.08
Energy consumption in 24 h in kWh	0.45
Safety	
Lock function	•
Acoustic door alarm	•
Acoustic temperature alarm	•
Optical door alarm	•
Optical temperature alarm	•
Power cut indication for freezer section	•
Technical data	
Niche width in mm min.	560
Niche width in mm max.	570
Niche height in mm min.	1772
Niche height in mm max.	1788
Niche depth in mm	550
Appliance width in mm	559
Appliance height in mm	1770
Appliance depth in mm	546
Weight in kg	75.0
Door hinge technology	Fixed door
Max. door front weight – refrigerator, in kg	18
Max. door front weight – freezer, in kg	12
Climate class	SN-ST
Refrigerator compartment in l	175
including PerfectFresh zone in l	71
4* freezer compartment in l	71
Total usable capacity in l	246
Storage time in case of fault in h	9
Freezer capacity in kg/24 h	6.00
Acoustic airborne noise emission class (A–D)	B
Sound emissions in dB(A) re 1 pW	33
Current consumption (mA)	1400
Voltage in V	220-240
Fuse rating in A	10
Number of phases	1
Frequency in Hz	50-60
Length of supply lead in m	2.2
Replacing lamps	Service
Accessories included	
Egg tray	•
PerfectFresh organisation box	•

KFN 7795 C

Built-in fridge-freezer combination

PerfectFresh Active, Freeze&Cool and IceMaker for outstanding appearance.



*1. View from the front, 2. Mains connection cable, L = 2100 mm, 3. Ventilation cut-out min. 200 cm², 4. Ventilation, 5. No connections permitted in this area, 6. Water connection L = 2000 mm

*The declared energy consumption was calculated in a 560 mm deep niche. The appliance is fully functional in a 550 mm niche but the energy consumption will be slightly higher.