

KFN 7764 C

Built-in fridge-freezer combination

FlexiLight 2.0, DynaCool and NoFrost for convenience that will impress.



- Spacious drawer with moisture control – DailyFresh
- Individually adjustable glass shelf lighting with FlexiLight 2.0
- No icing up of food and no need to defrost thanks to NoFrost
- Uniform temperature distribution inside the appliance – DynaCool
- Door shelf heights can be adjusted individually



EAN: 4002516748199 / Material number: 12445180 / Old Material Number: 38776405GB

|  |                |
|--|----------------|
| <b>Appliance category</b>                                      |                |
| Fridge-freezer   | •              |
| <b>Construction type</b>                                       |                |
| Built-in appliance   | •              |
| Integrated appliance   | •              |
| Door hinge   | right          |
| Convertible door hinging                                       | •              |
| <b>Design</b>  |                |
| Refrigeration section lighting                                 | FlexiLight 2.0 |
| Freezer compartment lighting                                   | LED            |
| Fan lighting   | •              |
| <b>User convenience</b>  |                |
| Networking with Miele@home                                     | •              |
| Freshness system   | DailyFresh     |
| Fine adjustment inner door                                     | •              |
| ComfortClean   | •              |
| DynaCool   | •              |
| NoFrost  | •              |
| DuplexCool   | •              |
| ComfortSize  | •              |
| VarioRoom  | •              |
| SoftClose  | •              |
| <b>Control system</b>  |                |
| Operating concept  | FreshTouch     |
| Fridge compartment can be switched off                         | Yes            |
| Independent temperature regulation of fridge and freezer zones | Yes            |
| Automatic SuperCool  | •              |
| SuperFreeze  | •              |
| No. of temperature zones                                       | 2              |
| Sabbath mode   | •              |
| Party mode   | •              |
| Holiday mode   | •              |
| <b>Fridge/Fridge section</b>                                   |                |
| No. of shelves   | 5              |
| including number of split shelves (FlexiBoard)                 | 1              |
| of which illuminated   | 2              |
| No. of crisper drawers   | 1              |
| Dry back wall  | CleanSteel     |
| Number of inner door racks for tinned food                     | 3              |
| Door rack for bottles  | 1              |
| Door shelves   | 4              |
| <b>Freezer/Freezer section</b>                                 |                |
| Number of freezer drawers                                      | 3              |
| of which on runners  | 2              |
| <b>Efficiency and sustainability</b>                           |                |
| Energy efficiency class (A–G)                                  | C              |
| Annual energy consumption in kWh                               | 145.27         |
| Energy consumption in 24 h in kWh                              | 0.39           |

KFN 7764 C

Built-in fridge-freezer combination

FlexiLight 2.0, DynaCool and NoFrost for convenience that will impress.



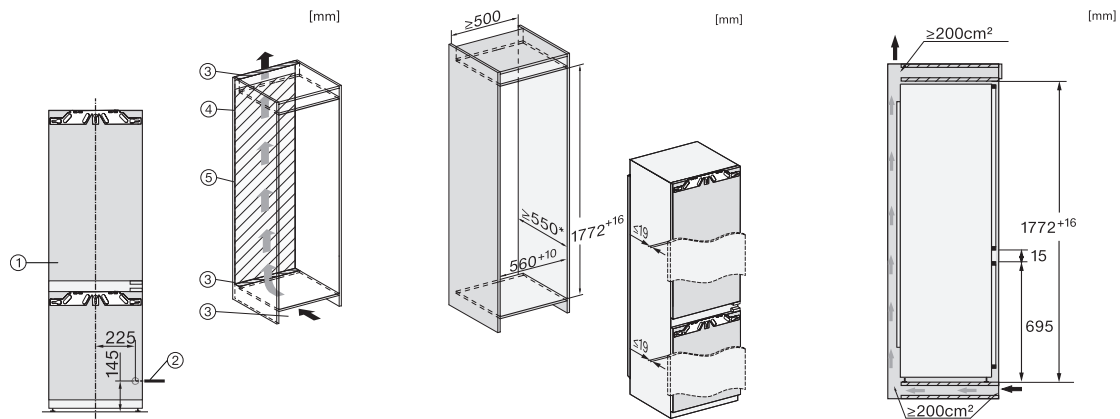
EAN: 4002516748199 / Material number: 12445180 / Old Material Number: 38776405GB

| Safety                                       |            |
|--|------------|
| Lock function                                | •          |
| Acoustic door alarm                          | •          |
| Acoustic temperature alarm                   | •          |
| Optical door alarm                           | •          |
| Optical temperature alarm                    | •          |
| Power cut indication for freezer section     | •          |
| Technical data                               |            |
| Niche width in mm min.                       | 560        |
| Niche width in mm max.                       | 570        |
| Niche height in mm min.                      | 1772       |
| Niche height in mm max.                      | 1788       |
| Niche depth in mm                            | 550        |
| Appliance width in mm                        | 559        |
| Appliance height in mm                       | 1770       |
| Appliance depth in mm                        | 545        |
| Weight in kg                                 | 64.9       |
| Door hinge technology                        | Fixed door |
| Max. door front weight – refrigerator, in kg | 18         |
| Max. door front weight – freezer, in kg      | 12         |
| Climate class                                | SN-T       |
| Refrigerator compartment in l                | 184        |
| 4* freezer compartment in l                  | 70         |
| Total usable capacity in l                   | 254        |
| Storage time in case of fault in h           | 9          |
| Freezer capacity in kg/24 h                  | 6.00       |
| Acoustic airborne noise emission class (A–D) | B          |
| Sound emissions in dB(A) re 1 pW             | 33         |
| Current consumption (mA)                     | 1400       |
| Voltage in V                                 | 220-240    |
| Fuse rating in A                             | 10         |
| Number of phases                             | 1          |
| Frequency in Hz                              | 50-60      |
| Length of supply lead in m                   | 2.2        |
| Replacing lamps                              | Service    |
| Accessories included                         |            |
| Egg tray                                     | •          |
| Ice cube tray                                | •          |

## KFN 7764 C

Built-in fridge-freezer combination

FlexiLight 2.0, DynaCool and NoFrost for convenience that will impress.



KFN7734C, KFN7734F, KFN7734D, KFN7764D, KFN7785D, KFN7744E, KFN7774D, installation (footnote\*) (installation drawings)

\*1. View from the front, 2. Mains connection cable, L = 2100 mm, 3. Ventilation cut-out min. 200 cm<sup>2</sup>, 4. Ventilation, 5. No connections permitted in this area

KFN7734C, KFN7734F, KFN7734D, KFN7764D, KFN7785D, KFN7744E, KFN7774D, built-in (footnote\*) (installation drawings)

\*The declared energy consumption was calculated in a 560 mm deep niche. The appliance is fully functional in a 550 mm niche but the energy consumption will be slightly higher.

KFNS7734D, KFN7734C, KFN7734F, KFN7734D, KFN7764D, KFN7785D, KFN7744E, KFN7774D, side view (installation drawings)