

K 7797 C R

Built-in refrigerator

with ActiveDoor, PerfectFresh Active and FlexiLight 2.0 for maximum convenience.



- Fresh 5x longer with active humidification – PerfectFresh Active
- Automatic opening and closing of the appliance door – ActiveDoor
- Individually adjustable glass shelf lighting with FlexiLight 2.0
- Uniform temperature distribution inside the appliance – DynaCool
- Easy to remove items thanks to pivotable glass shelf – FlexiTray



EAN: 4002516748045 / Material number: 12444970 / Old Material Number: 36779700EU1

Appliance category	
Refrigerator	•
Construction type	
Built-in appliance	•
Integrated appliance	•
Door hinge	right
Design	
Refrigeration section lighting	FlexiLight 2.0
Fan lighting	•
Freshness system lighting	•
User convenience	
Networking with Miele@home	•
Freshness system	PerfectFresh Active
Active humidification in top drawer	•
Fine adjustment inner door	•
ComfortClean	•
DynaCool	•
ComfortSize	•
SoftClose	•
SelfClose	•
Concealed door opener	ActiveDoor
Control system	
Operating concept	FreshTouch
Fridge compartment can be switched off	No
Independent temperature regulation of fridge and freezer zones	No
Automatic SuperCool	•
No. of temperature zones	2
Sabbath mode	•
Party mode	•
Holiday mode	•
Fridge/Fridge section	
No. of shelves	4
of which illuminated	3
Chrome-plated metal bottle rack	•
No. of crisper drawers	3
Dry back wall	CleanSteel
CompactCase	•
FlexiTray	•
Number of inner door racks for tinned food	3
Door rack for bottles	2
Door shelves	5
Efficiency and sustainability	
Energy efficiency class (A–G)	C
Annual energy consumption in kWh	99.65
Energy consumption in 24 h in kWh	0.27
Safety	
Lock function	•
Acoustic door alarm	•
Optical door alarm	•

K 7797 C R

Built-in refrigerator

with ActiveDoor, PerfectFresh Active and FlexiLight 2.0 for maximum convenience.



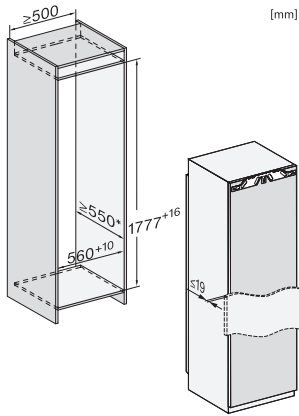
EAN: 4002516748045 / Material number: 12444970 / Old Material Number: 36779700EU1

Technical data	
Niche width in mm min.	560
Niche width in mm max.	570
Niche height in mm min.	1777
Niche height in mm max.	1793
Niche depth in mm	550
Appliance width in mm	559
Appliance height in mm	1770
Appliance depth in mm	546
Weight in kg	71.5
Door hinge technology	Fixed door
Max. door front weight – refrigerator, in kg	26
Climate class	SN-T
Refrigerator compartment in l	296
including PerfectFresh zone in l	98
Total usable capacity in l	296
Acoustic airborne noise emission class (A–D)	B
Sound emissions in dB(A) re 1 pW	32
Current consumption (mA)	1200
Voltage in V	220-240
Fuse rating in A	10
Number of phases	1
Frequency in Hz	50-60
Length of supply lead in m	2.2
Replacing lamps	Service
Accessories included	
Egg tray	•
PerfectFresh organisation box	•

K 7797 C R

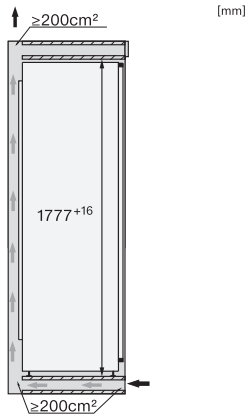
Built-in refrigerator

with ActiveDoor, PerfectFresh Active and FlexiLight 2.0 for maximum convenience.

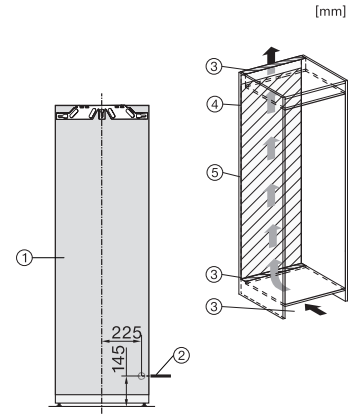


FNS7794D L, FNS7794D R, K7797C L, K7797C R, K7798C L, built-in (installation (*footnote) (installation drawings)

*The declared energy consumption was calculated in a 560 mm deep niche. The appliance is fully functional in a 550 mm niche but the energy consumption will be slightly higher.



FNS7794D L, FNS7794D R, K7797C L, K7797C R, K7798C L, side view (installation drawings)



K7797C L, K7797C R, K7797C R, K7798C L, K7798C R, installation (footnote*) (installation drawings)

*1. View from the front, 2. Mains connection cable, L = 2100 mm, 3. Mains connection cable, L = 2100 mm, 4. Mains connection cable, L = 2100 mm, 5. No connections permitted in this area