

H 2766-1 BP 125 Edition Oven

an elegant black design with AirFry function, networking and pyrolytic cleaning.



- Clear text display with rotary controls – EasyControl Plus
- Minimal cleaning effort – Pyrolytic cleaning
- Network-enabled WiFi appliance – Miele@home
- Achieve perfect results with ease – automatic programmes
- For everything that is crunchy and crisp – AirFry operating mode

A+

EAN: 4002516775096 / Material number: 12434900 / Old Material Number: 22276675GB

Anniversary promotion	
Anniversary models 125	•
Construction type	
Appliance Colour	Obsidian black
Construction type and design	
Built-in oven	•
BlackLine	•
Convenience features	
Rapid heat-up	•
Operating modes	
AirFry	•
Automatic programmes	•
Eco fan heat	•
Grill	•
Fan plus	•
Intensive bake	•
Conventional heat	•
Fan grill	•
User convenience	
Networking with Miele@home	•
Display	EasyControl Plus
SoftOpen	•
SoftClose	•
MultiLingua	•
Time of day display	•
Minute minder	•
Programmable start of cooking duration	•
Programmable end of cooking duration	•
Programmable cooking duration	•
Actual temperature display	•
Target temperature display	•
Buzzer when desired temperature is reached	•
Recommended temperature	•
Individual settings	•
Efficiency and sustainability	
Energy efficiency class (A+++ – D)	A+
Power rating in off mode in W	0.5
Power rating in standby mode in W	1.0
Power rating in networked standby in W	2.0
Time until automatic switch to standby in min	20
Time until automatic switch to networked standby in min	20
Time until automatic switch to off mode in min	20
Cleaning and care	
Pyrolytic self-cleaning	•
CleanGlass door	•
Safety	
Appliance cooling system and touch-cool front	•
Safety switch-off	•
System lock	•
Door lock during pyrolytic cleaning	•

H 2766-1 BP 125 Edition

Oven

an elegant black design with AirFry function, networking and pyrolytic cleaning.



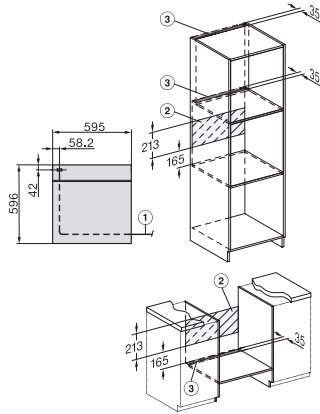
EAN: 4002516775096 / Material number: 12434900 / Old Material Number: 22276675GB

Technical data	
Oven compartment volume in l	76
No. of shelf levels	5
Number of shelf levels oven compartment 1	5
Number of shelf levels oven compartment 2	5
Numbered shelf levels	•
Oven light	1 halogen spot
Temperatures in °C	30–300
Electronic temperature regulation min. in °C	30
Electronic temperature regulation max. in °C	300
Niche width min. in mm	560
Niche width max. in mm	568
Niche height min. in mm	590
Niche height max. in mm	595
Niche depth in mm	550
Appliance width in mm	595
Appliance height in mm	596
Appliance depth in mm	568
Weight in kg	47.0
Total rated load in kW	3.60
Voltage in V	220-240
Frequency in Hz	50
Fuse rating in A	16
Number of phases	1
Mains cable	•
Length of supply lead in m	1.50
Replacing lamps	Customer
Accessories included	
Baking tray with PerfectClean HBB 71	1
Gourmet baking and AirFry tray, perforated, with PerfectClean HBBL 71	1
Universal tray with PerfectClean HUBB 71	1
Baking and roasting rack without PerfectClean	1
FlexiClip runners HFC 70-C (pair)	1
Removable side runners (pair)	1
Voucher for an HGBB71 grilling and roasting insert with PerfectClean	1
Available display languages	
Available display languages via MultiLingua	bahasa malaysia, dansk, deutsch, english, english (AU), english (CA), english (GB), english (US), español, français, français (CA), français (FR), hrvatski, italiano, magyar, nederlandsk, norsk, polski, portugês, русский, română, slovenčina, slovenščina, srpski, suomi, svenska, türkçe, українська, čeština, ελληνικά,

H 2766-1 BP 125 Edition

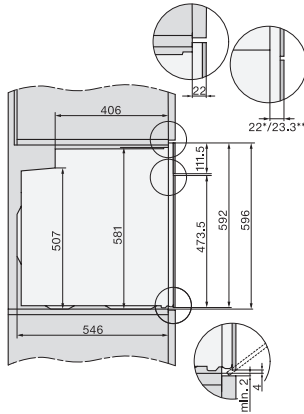
Oven

an elegant black design with AirFry function, networking and pyrolytic cleaning.



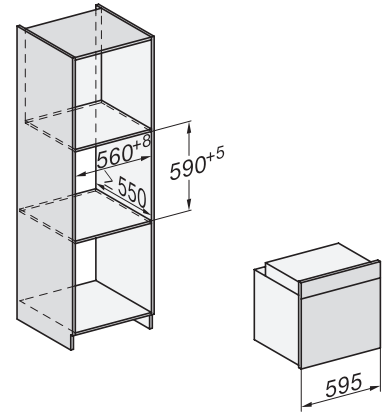
installation H7000 XL, installation drawing, GB, AU

1) Netzanschlussleitung, L=1500 mm, 2) In diesem Bereich kein Anschluss, 3) Lüftungsausschnitt min. 150 cm²

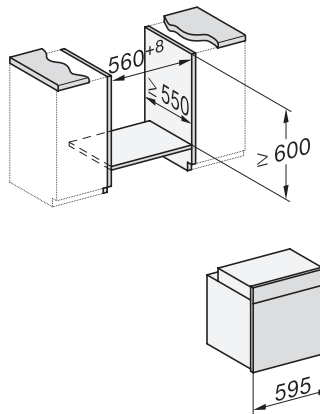


side view H7000 XL, installation drawings, GB, AU

22 mm – glass, 23.3 mm – metal

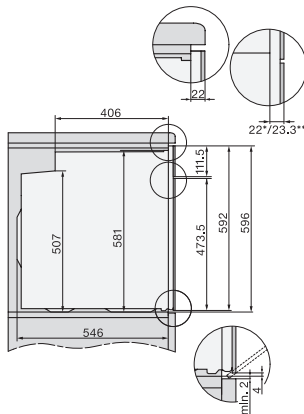


built-in H7000 XL, installation drawing



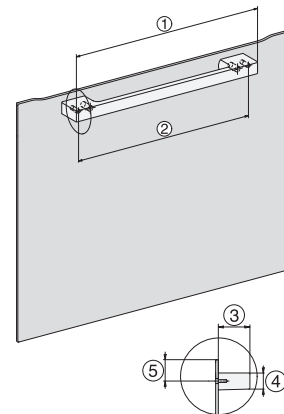
Installation H7000 XL underframe, installation drawings

If the oven is to be installed under a hob, follow the instructions for installing the hob and the height of the hob.



side view H7000 XL build-under, installation drawing, GB, AU

22 mm – glass, 23.3 mm – metal



H7x65BP, H7145BM, H7165B, H7365B, H2756B, H2765B/BP, DGC7151, DGC7351 installation drawings

1) 474 mm, 2) 360 mm, 3) 43 mm, 4) 22.5 mm, 5) 32.5 mm