

H 2455 BP ACTIVE

Oven

modern design with timer and pyrolytic cleaning at a great entry level price.



- 7-segment display with retractable rotary controls – EasyControl
- Minimal cleaning effort – Pyrolytic cleaning
- Lots of room and flexibility – 76 l oven capacity on 5 levels
- Protects against burns – touch-cool fronts
- Always on time thanks to perfect time management – timer functions

A⁺

EAN: 4002516770466 / Material number: 12408780 / Old Material Number: 22245505GB

| Construction type and design | |
|---|---------------------------------------|
| Built-in oven | • |
| Appliance Colour | Obsidian black stainless steel effect |
| Retractable rotary controls | • |
| Convenience features | |
| Rapid heat-up | • |
| Operating modes | |
| Defrosting | • |
| Eco fan heat | • |
| Grill operating modes | • |
| Grill | • |
| Fan plus | • |
| Intensive bake | • |
| Conventional heat | • |
| Bottom heat | • |
| Fan grill | • |
| User convenience | |
| Display | EasyControl |
| Time of day display | • |
| Minute minder | • |
| Programmable end of cooking duration | • |
| Programmable cooking duration | • |
| Actual temperature display | • |
| Target temperature display | • |
| Buzzer when desired temperature is reached | • |
| Recommended temperature | • |
| Individual settings | • |
| Efficiency and sustainability | |
| Energy efficiency class (A+++ – D) | A+ |
| Residual heat utilisation | • |
| Cleaning and care | |
| Pyrolytic self-cleaning | • |
| CleanGlass door | • |
| Safety | |
| Appliance cooling system and touch-cool front | • |
| Safety switch-off | • |
| System lock | • |
| Hob controls | |
| Combination with an electric hob | • |
| Technical data | |
| Oven compartment volume in l | 76 |
| No. of shelf levels | 5 |
| Number of shelf levels oven compartment 1 | 5 |
| Number of shelf levels oven compartment 2 | 5 |
| Numbered shelf levels | • |
| Oven light | 1 halogen spot |
| Electronic temperature regulation min. in °C | 30 |
| Electronic temperature regulation max. in °C | 280 |
| Niche width min. in mm | 560 |

H 2455 BP ACTIVE

Oven

modern design with timer and pyrolytic cleaning at a great entry level price.



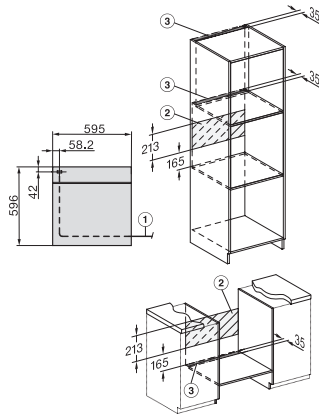
EAN: 4002516770466 / Material number: 12408780 / Old Material Number: 22245505GB

| | |
|---|----------|
| Niche width max. in mm | 568 |
| Niche height min. in mm | 590 |
| Niche height max. in mm | 595 |
| Niche depth in mm | 550 |
| Appliance width in mm | 595 |
| Appliance height in mm | 596 |
| Appliance depth in mm | 569 |
| Weight in kg | 47.0 |
| Temperatures in °C | 30-280 |
| Total rated load in kW | 3.60 |
| Voltage in V | 220-240 |
| Frequency in Hz | 50 |
| Number of phases | 1 |
| Fuse rating in A | 16 |
| Mains cable with plug | • |
| Length of supply lead in m | 1.50 |
| Replacing lamps | Customer |
| Accessories included | |
| Universal tray with PerfectClean | 1 |
| Baking and roasting rack without PerfectClean | 1 |
| Removable side runners (pair) | 1 |

H 2455 BP ACTIVE

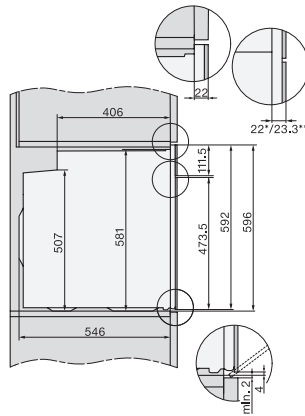
Oven

modern design with timer and pyrolytic cleaning at a great entry level price.



H226x-1B/BP/E/EP/I/IP, H2760B/BP, H28x0B/BP, H7x6xB/BP/BPX, installation drawings, GB, AUS

1) Netzanschlussleitung, L=1500 mm, 2) In diesem Bereich kein Anschluss, 3) Lüftungsausschnitt min. 150 cm²

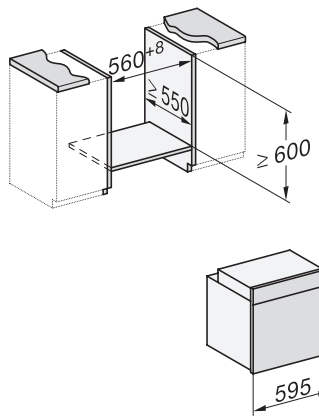


H2760B/BP, H28x0B/BP, H7x6xB/BP/BPX, installation drawings

22 mm – glass, 23.3 mm – metal

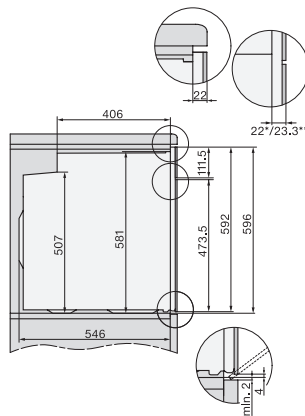


H226x-1B/BP/E/EP/I/IP, H2760B/BP, H28x0B/BP, H7x6xB/BP/BPX, installation drawings



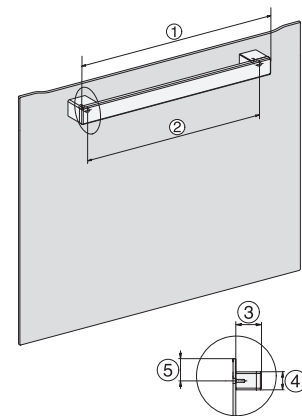
H226x-1B/BP/E/EP/I/IP, H2x6xB/BP, H7x6xB/BP/BPX, installation drawings

If the oven is to be installed under a hob, follow the instructions for installing the hob and the height of the hob.



H2760B/BP, H28x0B/BP, H7x6xB/BP/BPX, installation drawings

22 mm – glass, 23.3 mm – metal



H2465B, H2465BP, H2466B, H2466BP, H2467B, H2467BP, H2468B, H2468BP, installation drawings

EU, 1) 399,6 mm, 2) 360 mm, 3) 45 mm, 4) 31,8 mm, 5) 32,5 mm, , EX, 1) 399,6 mm, 2) 360 mm, 3) 45 mm, 4) 31,8 mm, 5) 32,5 mm