

KWT 6422 iG-1

Built-in wine conditioning unit

with FlexiFrame and Push2open for the most demanding wine connoisseurs.



- Flexible storage of larger wine bottles thanks to FlexiFrame
- Perfect design for handleless kitchens – Push2open
- Simultaneous wine storage in separate temperature zones
- Odourless refrigeration section thanks to Active AirClean filters
- Present your wine in the perfect light – LED lighting



EAN: 4002516712312 / Material number: 12364280 / Old Material Number: 36642222EU1

<b>Appliance category</b>	
Wine conditioning unit	•
<b>Construction type</b>	
Built-in appliance	•
Integrated appliance	•
Door hinge	right
Convertible door hinging	•
Side-by-side enabled	•
<b>Design</b>	
Front colour	Obsidian Black glass
Wine compartment lighting	LED illumination
<b>User convenience</b>	
Networking with Miele@home	•
Accessories required	XKS 3130 W
DynaCool	•
SoftClose	•
Concealed door opener	Push2open
Silence system	•
No. of wooden racks	2
Material of wooden racks	Beechwood
Number of FlexiFrame racks	2
NoteBoard	Yes
3 D bottle presenter	•
Low-vibration storage	•
<b>Control system</b>	
Operating concept	TouchControl
Independent temperature regulation of fridge and freezer zones	No
No. of temperature zones	2
Min. temperature setting range in °C	5
<b>Efficiency and sustainability</b>	
Energy efficiency class (A–G)	G
Annual energy consumption in kWh	143.00
Energy consumption in 24 h in kWh	0.39
<b>Safety</b>	
Lock function	•
Acoustic door alarm	•
Acoustic temperature alarm	•
Optical door alarm	•
Optical temperature alarm	•
<b>Technical data</b>	
Niche width in mm min.	560
Niche width in mm max.	570
Niche height in mm min.	874
Niche height in mm max.	890
Niche depth in mm	550
Appliance width in mm	595
Appliance height in mm	906
Appliance depth in mm	572
Weight in kg	55.0

KWT 6422 iG-1

Built-in wine conditioning unit

with FlexiFrame and Push2open for the most demanding wine connoisseurs.



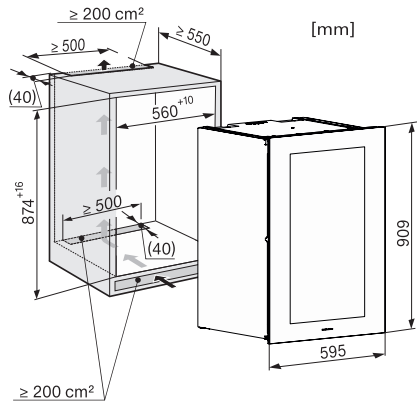
EAN: 4002516712312 / Material number: 12364280 / Old Material Number: 36642222EU1

Climate class	SN
Wine compartment in l	104
Total usable capacity in l	104
0.75 l Bordeaux bottle capacity (no. of bottles)	33 bottles
Acoustic airborne noise emission class (A-D)	B
Sound emissions in dB(A) re 1 pW	32
Current consumption (mA)	1500
Voltage in V	220-240
Fuse rating in A	10
Number of phases	1
Frequency in Hz	50-60
Length of supply lead in m	2.0
<b>Accessories included</b>	
Active AirClean filter	•

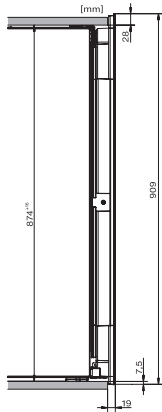
## KWT 6422 iG-1

Built-in wine conditioning unit

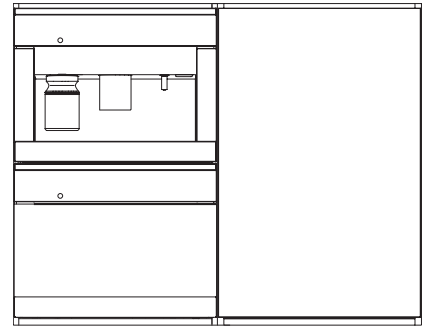
with FlexiFrame and Push2open for the most demanding wine connoisseurs.



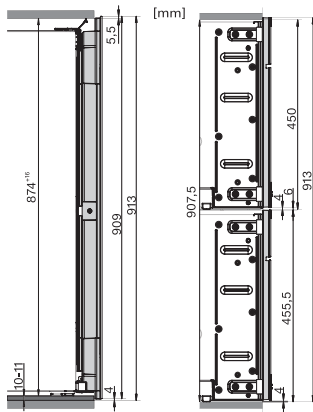
KWT6422iG, KWT6422iG-1, Installation draw



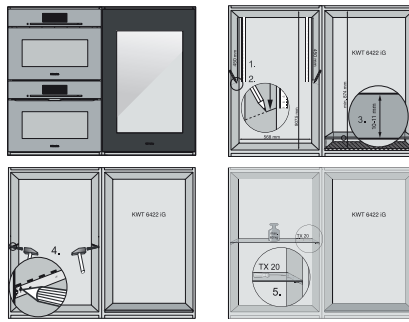
KWT6422iG, KWT6422iG-1, Installation draw, side view



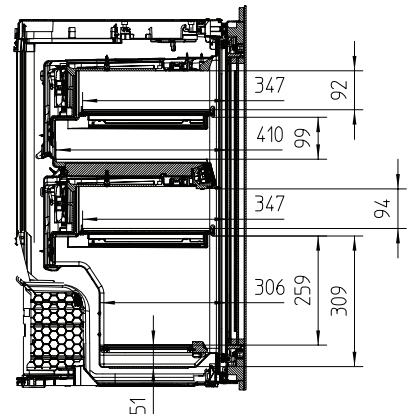
KWT6422iG, KWT6422iG-1, Installation draw



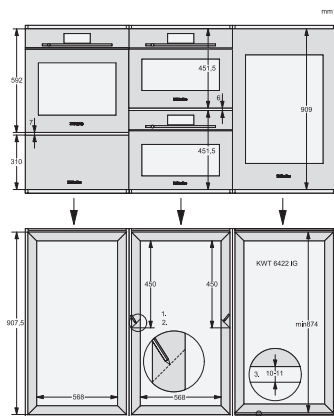
KWT6422iG, KWT6422iG-1, Installation draw, side view



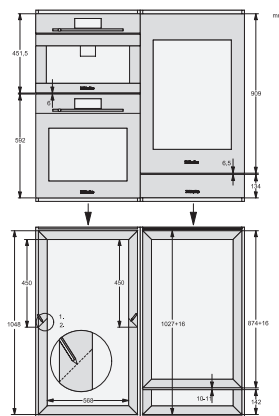
ENB1060, combination 2x45er + KWT6422iG, Installation draw



KWT6422iG, KWT6422iG-1, Interior dimensions (Installation drawings)



ENB1060, combination 60er & 32er ESW + 2x45er + KWT6422iG, Installation draw



ENB1060, combination 45er & 60er + KWT 6422 iG & 14er EVS, Installation draw