

DA 2450-1
Extractor unit
with energy-efficient LED lighting and rotary dials for easy use



- Customised kitchen design – fully integrated in ?? width
- Powerful – 590 m3/h at the highest level
- Efficient filtration- 10-ply stainless-steel grease filter
- Safe and easy to clean – Miele CleanCover
- Suitable for every home – for extraction or recirculation

A

EAN: 4002516718413 / Material number: 12350270 / Old Material Number: 28245056GB

Construction type	
Integrated extractor	•
Operating modes	
Type of air guide	Can be retrofitted
Active charcoal filter (order separately)	DKF 15-P
Design	
Colour	Stainless steel
User convenience	
Rotary knob	•
Electronic controls	•
Power levels (number without Booster level)	2
Easy-to-clean canopy interior – CleanCover	•
Efficiency and sustainability	
Energy efficiency class (A+++ – D)	A
Annual energy consumption in kWh/year	52.6
Fluid dynamic efficiency class	A
Lighting efficiency class	A
Grease filtering efficiency class	B
Filter system	
Number of dishwasher-safe stainless steel grease filters (10-ply)	1
Lighting	
LED	•
Number x W	2 x 3 W
Light intensity in lx	330 lx
Colour temperature in K	3000 Kelvin
Fan	
Dual-action fan	•
AC motor	•
Exhaust air	
Sound power in Level 1 (dB(A) re 1 pW) according to EN 60704-3	47.0
Sound power in Level 2 (dB(A) re 1 pW) according to EN 60704-3	54.0
Sound power in Level 3 (dB(A) re 1 pW) according to EN 60704-3	66.0
Sound pressure in Level 1 (dB(A) re 20 µPa) according to EN 60704-2-13	32.0
Sound pressure in Level 2 (dB(A) re 20 µPa) according to EN 60704-2-13	40.0
Sound pressure in Level 3 (dB(A) re 20 µPa) according to EN 60704-2-13	52.0
Recirculation	
Sound power in Level 1 (dB(A) re 1 pW) according to EN 60704-3	52.0
Sound power in Level 2 (dB(A) re 1 pW) according to EN 60704-3	61.0
Sound power in Level 3 (dB(A) re 1 pW) according to EN 60704-3	71.0
Sound pressure in Level 1 (dB(A) re 20 µPa) according to EN 60704-2-13	38.0

DA 2450-1

Extractor unit

with energy-efficient LED lighting and rotary dials for easy use



EAN: 4002516718413 / Material number: 12350270 / Old Material Number: 28245056GB

Sound pressure in Level 2 (dB(A) re 20 µPa) according to EN 60704-2-13	47.0
--	------

Sound pressure in Level 3 (dB(A) re 20 µPa) according to EN 60704-2-13	57.0
--	------

Technical data

Standard plug fitted	•
----------------------	---

Total rated load in kW	0.22
------------------------	------

Voltage in V	230
--------------	-----

Fuse rating in A	10
------------------	----

Number of phases	1
------------------	---

Frequency in Hz	50
-----------------	----

Installation notes

Extraction ducting connection at top	•
--------------------------------------	---

Extraction connection at top and rear	•
---------------------------------------	---

Accessories included

Non-return flap	•
-----------------	---

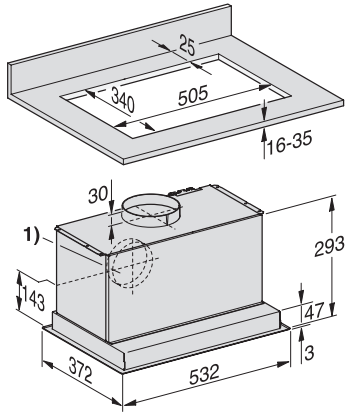
Optional accessories

Active charcoal filter	Ja
------------------------	----

DA 2450-1

Extractor unit

with energy-efficient LED lighting and rotary dials for easy use



DA2450, DA2450-1, DA2558 (Installation drawing)

1) Vent connection alternatively to rear, You will find further detailed measurements in the instructions for use!