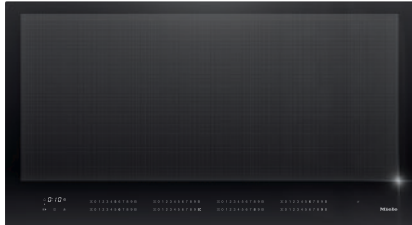


## KM 7897-2 FL Diamond

Induction hob with onset controls

with full-surface induction and DiamondFinish for long-lasting cooking pleasure



- Hard-wearing finish – DiamondFinish
- Intelligent pan recognition – for up to 6 pans
- Fast, intuitive selection using numerical displays – Smart Select White
- Communication with the cooker hood – automatic Con@ctivity function
- Frameless for flush-fit or surface-mounted installation

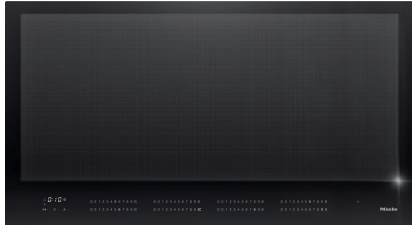
EAN: 4002516675136 / Material number: 12273810 / Old Material Number: 26789774GB

<b>Heating type</b>	
Heating type	Induction
<b>Construction type</b>	
Independent of cooker	•
<b>Design</b>	
Elegant glass ceramic surface	•
Flush	•
Ceramic surface colour	Graphite black
Surface-mounted installation	•
<b>Cooking zone details</b>	
Number of cooking areas	1
Maximum number of pans	6
<b>1st cooking zone/cooking area</b>	
Position	Can be selected freely
Type	Full area
Size in mm	870x380
Max. Booster power rating in W	3300
Max. rating in W	2600
Max. TwinBooster power rating in W	3650
<b>User convenience</b>	
Miele@home	•
Operation via sensor controls	Smart Select White
Automatic function Con@ctivity 3.0	•
Pan and pan size recognition	•
Display colour	White
Auto heat-up	•
Keeping warm	•
Stop & Go function	•
Recall function	•
Safety switch-off	•
Individual setting options (e.g. buzzers)	•
Intelligent pan recognition	•
Positioning aid	•
Wipe protection	•
Minute minder	•
<b>Efficiency and sustainability</b>	
Power rating in off mode in W	0.5
Power rating in standby mode in W	1.0
Power rating in networked standby in W	2.0
Time until automatic switch to off mode in min	20
Time until automatic switch to standby in min	20
Time until automatic switch to networked standby in min	20
<b>Cleaning and care</b>	
Easy to clean ceramic glass	•
<b>Safety</b>	
Safety switch-off	•
Lock function	•
System lock	•
Integrated cooling fan	•
Overheating protection	•

## KM 7897-2 FL Diamond

Induction hob with onset controls

with full-surface induction and DiamondFinish for long-lasting cooking pleasure



EAN: 4002516675136 / Material number: 12273810 / Old Material Number: 26789774GB

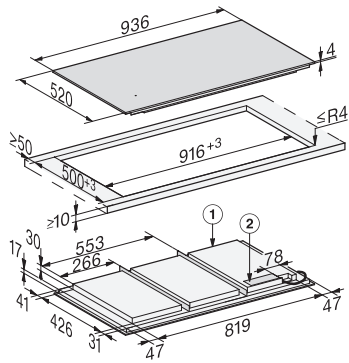
Residual heat indicator

•

### Technical data

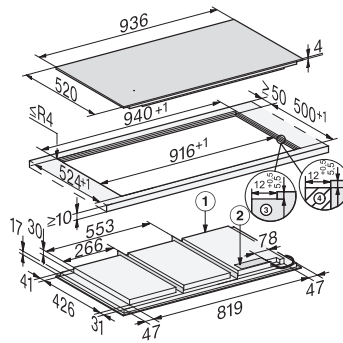
Dimensions (H x W x D) in mm	51 x 936 x 520
Dimensions in mm (width)	936
Dimensions in mm (height)	51
Dimensions in mm (depth)	520
Cutout dimensions in mm (width) with surface-mounted installation	916
Cutout dimensions in mm (depth) with surface-mounted installation	500
Casing height incl. connection box in mm	57
Internal cutout dimensions in mm (width) with flush installation	916
Internal cutout dimensions in mm (depth) with flush installation	500
Weight in kg	21
External cutout dimensions in mm (width) with flush installation	940
External cutout dimensions in mm (depth) with flush installation	524
Total rated load in kW	9.20
Length of supply lead in m	1.4
Voltage in V	230
Frequency in Hz	50-60
<b>Accessories included</b>	
Mains cable	Yes

KM 7897-2 FL Diamond  
 Induction hob with onset controls  
 with full-surface induction and DiamondFinish for long-lasting cooking pleasure



KM7697FL, KM7897FL, KM7897-1FLDiamond, KM7897-2FL Diamond (installation drawings) – onset

1) Front, 2) Mains connection box with mains connection cable, L = 1440 mm, are enclosed loosely,



KM7697FL, KM7897FL, KM7897-1FLDiamond, KM7897-2FL Diamond (installation drawings) – flush-fit

1) Front, 2) Mains connection box with mains connection cable, L = 1440 mm, are enclosed loosely, 3) Stepped cut-out natural stone worktop, 4) Wood support 12 mm (not supplied)