

## DGC 7440 HC Pro

Compact combination steam oven

for steam cooking, baking, roasting with networking + HydroClean.



- Large clear text display with sensor controls – DirectSensor
- Perfect results – DualSteam technology
- Crispy outside, succulent inside – combination cooking
- Convenient operation – water container behind automatic panel
- Easy cleaning – HydroClean and stainless steel oven compartment

A+

EAN: 4002516626138 / Material number: 12101250 / Old Material Number: 23744048GB

Construction type and design	
Steam combination oven	•
PureLine	•
Appliance Colour	Stainless steel/Clean Steel
Convenience features	
Rapid heat-up	•
Pre-heating	•
External steam generation	•
Oxygen sensor	•
Individual humidity settings in combination cooking	•
Menu cooking without transfer of taste	•
Prepare plated meals with "Mix & Match"	•
Automatic programmes with ability to make individual adjustments	•
Keeping warm	•
Crisp function	•
Operating modes	
Defrost	•
Automatic programmes	•
Country-specific automatic programmes	•
Combination cooking	•
Combination cooking with Fan plus	•
Combination cooking with Conventional heat	•
Combination cooking with grill	•
Steam cooking	•
Sous-vide	•
Reheat	•
Roast with moisture	•
Grill operating modes	•
Grill	•
Economy grill	•
Fan plus	•
Intensive bake	•
Cake plus	•
Conventional heat	•
Top heat	•
Bottom heat	•
Fan grill	•
Eco fan heat	•
Eco steam cooking	•
Plate warming	•
Special applications	•
User convenience	
Networking with Miele@home	•
Display	DirectSensor
SoftOpen	•
SoftClose	•
MultiLingua	•
Motorised lift-up control panel with SoftClose	•
Quantity-independent cooking	•

## DGC 7440 HC Pro

Compact combination steam oven

for steam cooking, baking, roasting with networking + HydroClean.



EAN: 4002516626138 / Material number: 12101250 / Old Material Number: 23744048GB

Steam cooking on up to 3 levels at the same time	•
Automatic menu cooking	•
Steam reduction before end of programme	•
Time of day display	•
Date display	•
Minute minder	•
Programmable start of cooking duration	•
Programmable end of cooking duration	•
Programmable cooking duration	•
Actual temperature display	•
Target temperature display	•
Buzzer when desired temperature is reached	•
Recommended temperature	•
User programmes	•
Sabbath programme	•
Individual settings	•
<b>Efficiency and sustainability</b>	
Energy efficiency class (A+++ – D)	A+
Power rating in off mode in W	0.5
Power rating in standby mode in W	1.0
Power rating in networked standby in W	2.0
Time until automatic switch to standby in min	20
Time until automatic switch to networked standby in min	20
Time until automatic switch to off mode in min	20
<b>Cleaning and care</b>	
Stainless steel/CleanSteel finish	•
Stainless-steel oven compartment with linen structure	•
Hinged grill element	•
External steam generator	•
HydroClean	•
Maintenance programmes	•
Soak programme	•
Rinse programme	•
Oven compartment drying programme	•
Quick-release side racks	•
Removable stainless-steel side racks	•
Automatic descaling	•
CleanGlass door	•
<b>Steam techn./water supply</b>	
DualSteam	•
Steam generator power in kW	3.30
Fresh water container volume in l	1.4
Fresh water container behind motorised control panel	•
Condensate container behind motorised lift-up control panel with SoftClose	•
Drain filter	•
<b>Safety</b>	
Appliance cooling system and touch-cool front	•
Safety switch-off	•
System lock	•
Vapour cooling system	•

## DGC 7440 HC Pro

Compact combination steam oven

for steam cooking, baking, roasting with networking + HydroClean.



EAN: 4002516626138 / Material number: 12101250 / Old Material Number: 23744048GB

Sensor lock

•

### Technical data

Oven compartment volume in l	47
No. of shelf levels	3
Numbered shelf levels	•
Door hinge	Bottom
Oven light	BrilliantLight
Oven temperature regulation min. in °C	30
Oven temperature regulation max. in °C	230
Electronic steam oven temperature regulation min. in °C	40
Electronic steam oven temperature regulation max. in °C	100
Niche width min. in mm	560
Niche width max. in mm	568
Niche height min. in mm	450
Niche height max. in mm	452
Niche depth in mm	550
Appliance dimensions (W x H x D) in mm	595 x 456 x 569
Appliance width in mm	595
Appliance height in mm	455.5
Appliance depth in mm	568.5
Weight in kg	40.2
Total rated load in kW	3.40
Voltage in V	230
Frequency in Hz	50
Fuse rating in A	16
Number of phases	1
Mains cable with plug	•
Length of supply lead in m	2
Replacing lamps	Service
<b>Accessories included</b>	
Universal tray with PerfectClean	1
Baking and roasting rack with PerfectClean	1
Removable side runners (pair)	1
No. of perforated stainless-steel cooking container	1
No. of solid stainless-steel cooking containers	1
HydroClean cleaning agent	1
Descaling tablets	2

### Available display languages

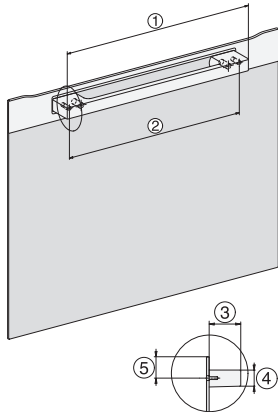
Available display languages via MultiLingua

bahasa malaysia, dansk, deutsch, english, español, français, hrvatski, italiano, magyar, nederlands, norsk, polski, portugês, русский, română, slovenčina, slovensčina, srpski, suomi, svenska, türkçe, українська, čeština, ελληνικά,

## DGC 7440 HC Pro

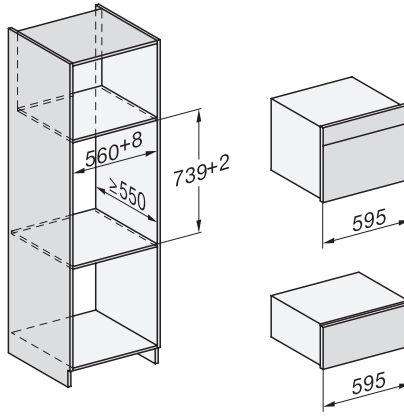
Compact combination steam oven

for steam cooking, baking, roasting with networking + HydroClean.

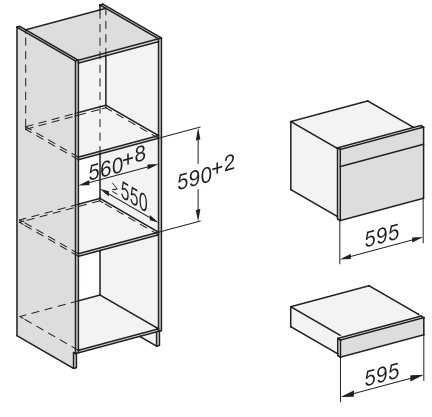


DG2840, DG7x40, DGC7x4x, DG7x6x, DGC7x6x, DGD7635, DGM7x4x, DO7, H28B/BP, H7x4xB/BM/BP, H7x6xB/BP, installation drawing

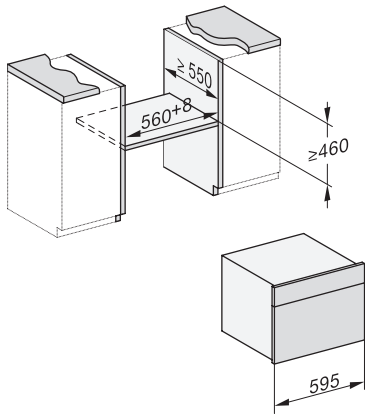
1) 400 mm, 2) 360 mm, 3) 47 mm, 4) 24 mm, 5) 32.5 mm



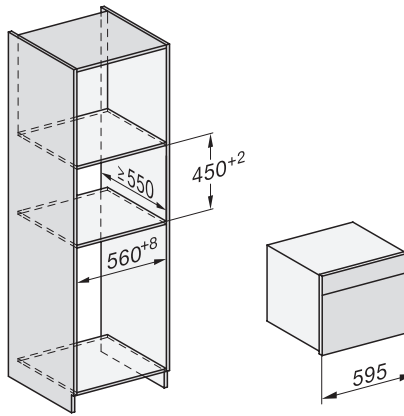
ESW7x20, DGC7x4xHCPro, DGC7x4xHCXPro installation drawings



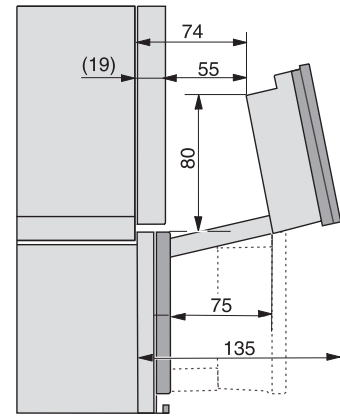
ESW7x10, DGC7x4xHCPro, DGC7x4xHCXPro, installation drawings



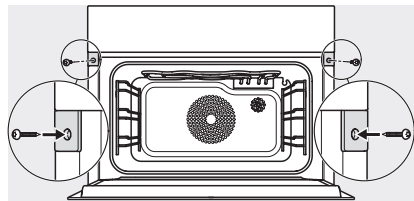
built-in DG DGM DGC XL build-under, installation drawing



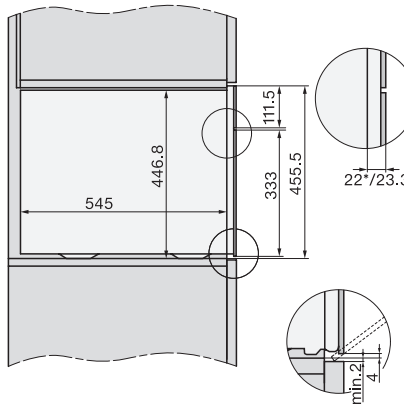
DGC7x4x built-in tall cabinet, installation drawing



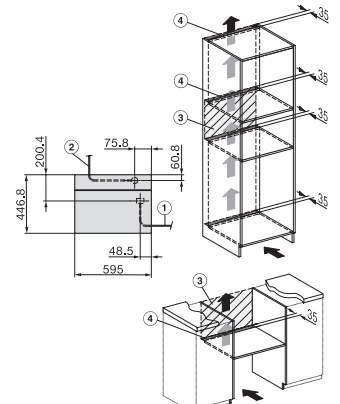
DGC7x4x swivel range of the aperture, installation drawings



screw joint DGC XL, installation drawing



side view DGC XL, installation drawing, GB, AU  
22 mm glass, 23,3 mm stainless steel



installation DGC XL, installation drawing, GB, AU

1) Front view, 2) Mains connection cable, L=2,000 mm, 3) ventilation cut-out min. 180 cm<sup>2</sup>, 4) no connection in this area