

DGC 7440 HC Pro

Compact combination steam oven

for steam cooking, baking, roasting with networking + HydroClean.



- Large clear text display with sensor controls – DirectSensor
- Perfect results – DualSteam technology
- Crispy outside, succulent inside – combination cooking
- Convenient operation – water container behind automatic panel
- Easy cleaning – HydroClean and stainless steel oven compartment

A+

EAN: 4002516625193 / Material number: 12101240 / Old Material Number: 23744038GB

Construction type and design	
Steam combination oven	•
VitroLine	•
Appliance Colour	Graphite grey
Convenience features	
Rapid heat-up	•
Pre-heating	•
External steam generation	•
Oxygen sensor	•
Individual humidity settings in combination cooking	•
Menu cooking without transfer of taste	•
Prepare plated meals with "Mix & Match"	•
Automatic programmes with ability to make individual adjustments	•
Keeping warm	•
Crisp function	•
Operating modes	
Defrost	•
Automatic programmes	•
Country-specific automatic programmes	•
Combination cooking	•
Combination cooking with Fan plus	•
Combination cooking with Conventional heat	•
Combination cooking with grill	•
Steam cooking	•
Sous-vide	•
Reheat	•
Roast with moisture	•
Grill operating modes	•
Grill	•
Economy grill	•
Fan plus	•
Intensive bake	•
Cake plus	•
Conventional heat	•
Top heat	•
Bottom heat	•
Fan grill	•
Eco fan heat	•
Eco steam cooking	•
Plate warming	•
Special applications	•
User convenience	
Networking with Miele@home	•
Display	DirectSensor
SoftOpen	•
SoftClose	•
MultiLingua	•
Motorised lift-up control panel with SoftClose	•
Quantity-independent cooking	•

DGC 7440 HC Pro

Compact combination steam oven

for steam cooking, baking, roasting with networking + HydroClean.



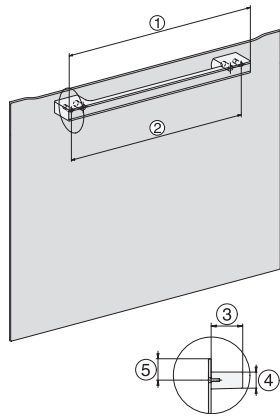
EAN: 4002516625193 / Material number: 12101240 / Old Material Number: 23744038GB

Steam cooking on up to 3 levels at the same time	•
Automatic menu cooking	•
Steam reduction before end of programme	•
Time of day display	•
Date display	•
Minute minder	•
Programmable start of cooking duration	•
Programmable end of cooking duration	•
Programmable cooking duration	•
Actual temperature display	•
Target temperature display	•
Buzzer when desired temperature is reached	•
Recommended temperature	•
User programmes	•
Sabbath programme	•
Individual settings	•
Efficiency and sustainability	
Energy efficiency class (A+++ – D)	A+
Power rating in off mode in W	0.5
Power rating in standby mode in W	1.0
Power rating in networked standby in W	2.0
Time until automatic switch to standby in min	20
Time until automatic switch to networked standby in min	20
Time until automatic switch to off mode in min	20
Cleaning and care	
Stainless-steel oven compartment with linen structure	•
Hinged grill element	•
External steam generator	•
HydroClean	•
Maintenance programmes	•
Soak programme	•
Rinse programme	•
Oven compartment drying programme	•
Quick-release side racks	•
Removable stainless-steel side racks	•
Automatic descaling	•
CleanGlass door	•
Steam techn./water supply	
DualSteam	•
Steam generator power in kW	3.30
Fresh water container volume in l	1.4
Fresh water container behind motorised control panel	•
Condensate container behind motorised lift-up control panel with SoftClose	•
Drain filter	•
Safety	
Appliance cooling system and touch-cool front	•
Safety switch-off	•
System lock	•
Vapour cooling system	•
Sensor lock	•

DGC 7440 HC Pro

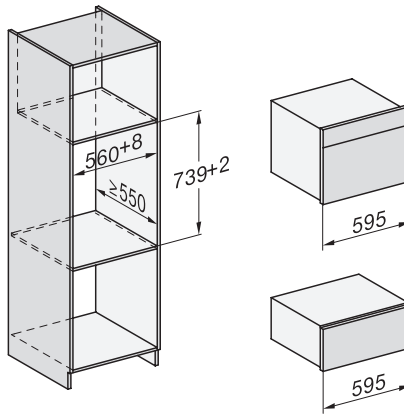
Compact combination steam oven

for steam cooking, baking, roasting with networking + HydroClean.

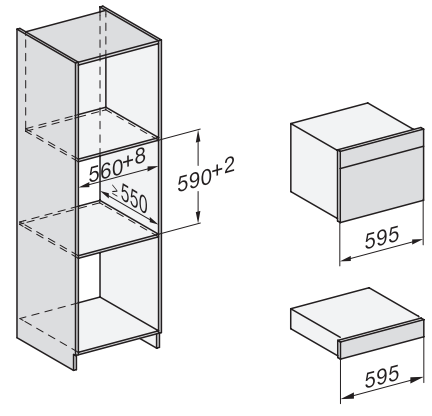


DG7x40, DGC7x4x, DGC7x6x, DG7635, DGM7x4x, DO7, H2860B/BP, H7240BM, H7x40BM, H7x4xB/BP, H7x6xB/BP, installation drawings

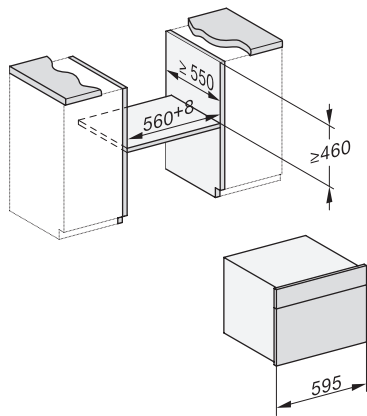
1) 400 mm, 2) 360 mm, 3) 47 mm, 4) 27 mm, 5) 32.5 mm



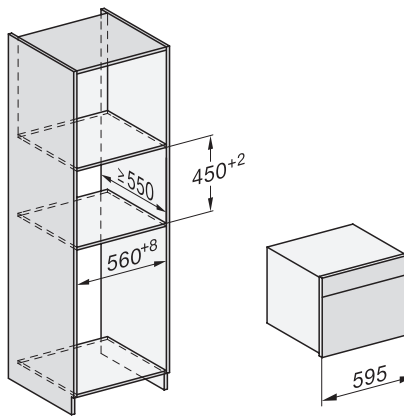
ESW7x20, DGC7x4xHCPro, DGC7x4xHCXPro installation drawings



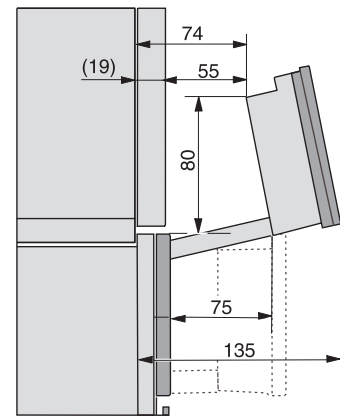
ESW7x10, DGC7x4xHCPro, DGC7x4xHCXPro, installation drawings



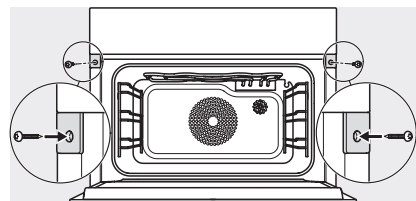
built-in DG DGM DGC XL build-under, installation drawing



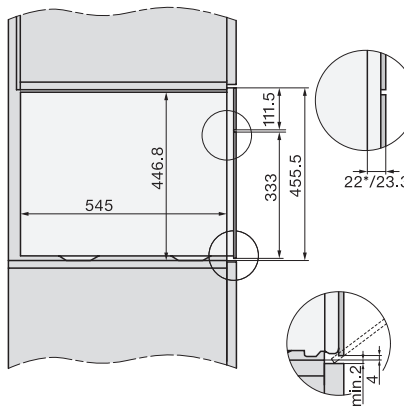
DGC7x4x built-in tall cabinet, installation drawing



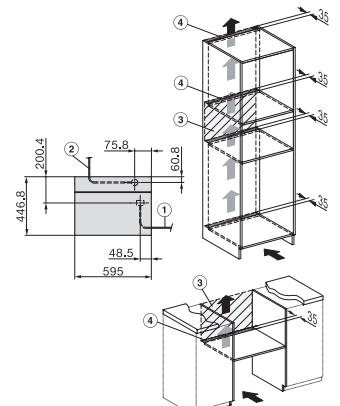
DGC7x4x swivel range of the aperture, installation drawings



screw joint DGC XL, installation drawing



side view DGC XL, installation drawing, GB, AU
22 mm glass, 23,3 mm stainless steel



installation DGC XL, installation drawing, GB, AU

1) Front view, 2) Mains connection cable, L=2,000 mm, 3) ventilation cut-out min. 180 cm², 4) no connection in this area