

FN 4722 E

Freestanding freezer

with NoFrost, EasyOpen and SoftClose for added convenience.



- No icing up of food and no need to defrost thanks to NoFrost
- Soft closing of the door with SoftClose
- More space for particularly large frozen food – XXL box
- Convenient and effortless opening – EasyOpen
- Food is frozen quickly and gently – SuperFreeze



EAN: 4002516572114 / Material number: 12056760 / Old Material Number: 37472254GB

<b>Appliance category</b>	
Freezer	•
<b>Construction type</b>	
Freestanding appliance	•
Door hinge	right
Convertible door hinging	•
<b>Design</b>	
Casing colour	White
Front colour	White
<b>User convenience</b>	
Networking with Miele@home	•
NoFrost	•
VarioRoom	•
SoftClose	•
Concealed door opener	EasyOpen lever handle
<b>Control system</b>	
Operating concept	SensorTouch
Precise adjustment	Freezer temperature
Independent temperature regulation of fridge and freezer zones	No
SuperFreeze	•
No. of temperature zones	1
Sabbath mode	•
Party mode	•
<b>Freezer/Freezer section</b>	
Number of freezer drawers	5
including XXL box	1
<b>Efficiency and sustainability</b>	
Energy efficiency class (A–G)	E
Annual energy consumption in kWh	220.60
Energy consumption in 24 h in kWh	0.60
<b>Safety</b>	
Lock function	•
Acoustic door alarm	•
Acoustic temperature alarm	•
Optical door alarm	•
Optical temperature alarm	•
Power cut indication for freezer section	•
Internal heater for operation with low ambient temperatures	•
<b>Technical data</b>	
Appliance width in mm	600
Appliance height in mm	1455
Appliance depth in mm	675
Weight in kg	85.5
Climate class	SN-T
4* freezer compartment in l	200
Total usable capacity in l	200
Storage time in case of fault in h	16
Freezer capacity in kg/24 h	16.00
Acoustic airborne noise emission class (A–D)	C

FN 4722 E

Freestanding freezer

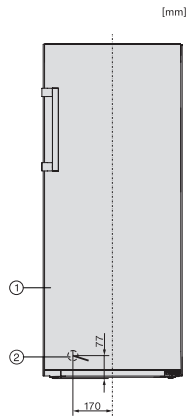
with NoFrost, EasyOpen and SoftClose for added convenience.



EAN: 4002516572114 / Material number: 12056760 / Old Material Number: 37472254GB

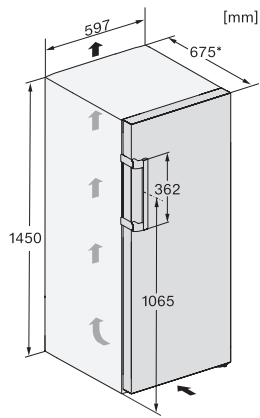
Sound emissions in dB(A) re 1 pW	38
Current consumption (mA)	1300
Voltage in V	220-240
Fuse rating in A	13
Number of phases	1
Frequency in Hz	50-60
Length of supply lead in m	2.1
Replacing lamps	Service
<b>Accessories included</b>	
Ice cube tray	•

FN 4722 E  
Freestanding freezer  
with NoFrost, EasyOpen and SoftClose for added convenience.



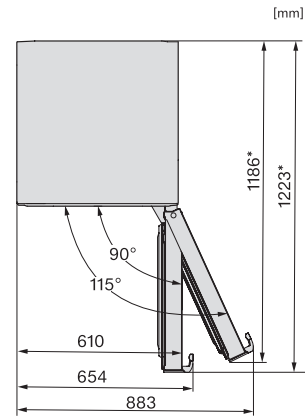
FN4722E, installation (footnote\*) (installation drawings)

\*1. View from the front, 2. Mains connection cable, L = 2100 mm



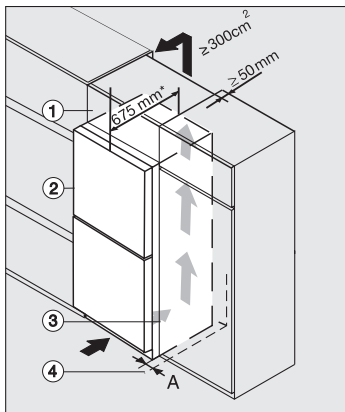
FN4722E, installation sketch (footnote\*) (installation drawings)

\*To achieve the declared energy consumption, the spacers supplied with the unit must be used. This increases the depth of the unit by approx. 15 mm. The unit is fully functional without the use of the spacers, but has a slightly higher energy consumption.



KFN4777CD, KFN4797DD, KFN4797CD, KFN4799DDE, KFN4795DD, KFN4795CD, KFN4795BD, top view (footnote\*)

\*To achieve the declared energy consumption, the spacers supplied with the unit must be used. This increases the depth of the unit by approx. 15 mm. The unit is fully functional without the use of the spacers, but has a slightly higher energy consumption.



Integrating freestanding refrigeration appliance in a run of kitchen units, edt/cs, ws, bst, el (\*footnote)

1. Top box, 2. Refrigeration appliance, door depth = 75 mm, 3. Housing unit, 4. Wall, A = 25 mm (with recessed grip)/60 mm (with handle), \* The appliance depth is increased by approx. 15 mm for refrigeration appliances with wall spacers fitted.