

## F 2413 Vi MasterCool freezer

For high-end design and technology on a large scale.



- Push2open for convenient door-opening assistance
- Light floods the interior thanks to LED elements – BrilliantLight
- Fresh ice cubes from the IceMaker with mains water connection
- Convenient control thanks to colour touch display MasterSensor



EAN: 4002516550723 / Material number: 12021710 / Old Material Number: 37241301GB

<b>Appliance category</b>	
Freezer	•
<b>Construction type</b>	
Built-in appliance	•
Integrated appliance	•
Door hinge	Left
Convertible door hinging	•
Side-by-side enabled	•
<b>Design</b>	
Lighting	BrilliantLight
<b>User convenience</b>	
Networking with Miele@home	•
NoFrost	•
SoftClose	•
IceMaker with mains water connection	•
Push2open	•
FullAccess	•
EasyClean	•
MaxLoad hinge	•
<b>Control system</b>	
Operating concept	MasterSensor
Independent temperature regulation of fridge and freezer zones	No
SuperFreeze	•
No. of temperature zones	1
Sabbath mode	•
Eco mode	•
<b>Fridge/Fridge section</b>	
Door baskets – small	1
Door baskets – large	3
<b>Freezer/Freezer section</b>	
No. of shelves/surfaces	2
Number of freezer baskets	2
<b>Efficiency and sustainability</b>	
Energy efficiency class (A–G)	E
Annual energy consumption in kWh	246.00
Energy consumption in 24 h in kWh	0.60
<b>Safety</b>	
Lock function	•
Acoustic door alarm	•
Acoustic temperature alarm	•
Optical door alarm	•
Optical temperature alarm	•
<b>Technical data</b>	
Niche width in mm min.	457
Niche width in mm max.	460
Niche height in mm min.	2134
Niche height in mm max.	2164
Niche depth in mm	629
Appliance width in mm	451

## F 2413 Vi MasterCool freezer

For high-end design and technology on a large scale.



EAN: 4002516550723 / Material number: 12021710 / Old Material Number: 37241301GB

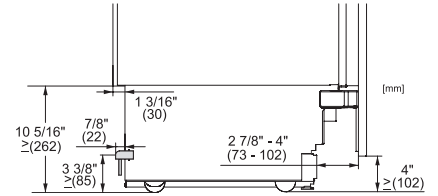
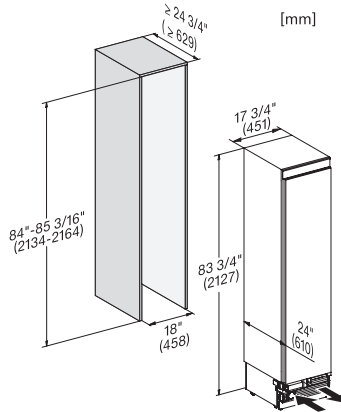
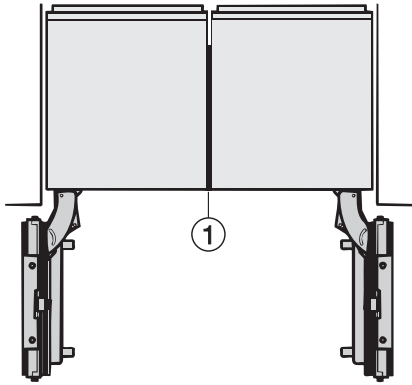
Appliance height in mm	2125
Appliance depth in mm	545
Weight in kg	122.2
Door hinge technology	Fixed door
Max. door front weight – refrigerator, in kg	59
Climate class	SN-T
4* freezer compartment in l	240
Total usable capacity in l	268
Storage time in case of fault in h	10
Freezer capacity in kg/24 h	16.00
Acoustic airborne noise emission class (A–D)	D
Sound emissions in dB(A) re 1 pW	42
Current consumption (mA)	3000
Voltage in V	220-240
Fuse rating in A	10
Number of phases	1
Frequency in Hz	50-60
Length of supply lead in m	3.0

### Available display languages

Available display languages via MultiLingua

bahasa malaysia, dansk, deutsch, eesti, english, english (AU), english (CA), english (GB), english (US), español, français, français (CA), français (FR), hrvatski, italiano, latviesu, lietuviu, magyar, nederlands, norsk, polski, português, русский, română, slovenčina, slovenščina, srpski, suomi, svenska, türkçe, українська, čeština, ελληνικά,

F 2413 Vi  
MasterCool freezer  
For high-end design and technology on a large scale.

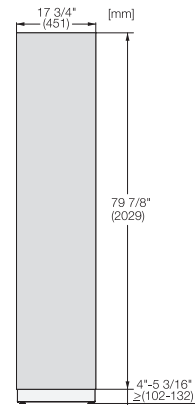
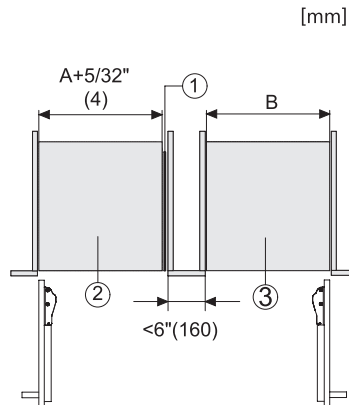
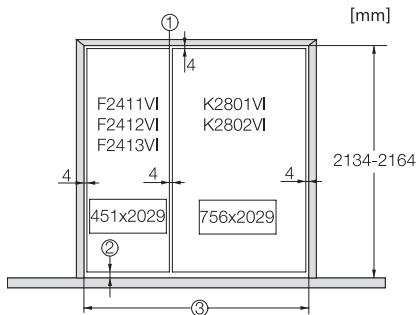


Side-by-side, MasterCool, without partition wall, with heating mat (Sketch) (with footnote)

F2413Vi, F2412Vi, F2411Vi, MasterCool, inner space, installation drawings

Sideview, MasterCool, Sketch

1) Heating mat KSK 2001 (EU, AUS, CN) or KSK 2002 (US, CA, MX, BR)



Example for dimensioning Side-by-side-Combination MasterCool (Sketch) (\*footnote) (only for EUROPE)

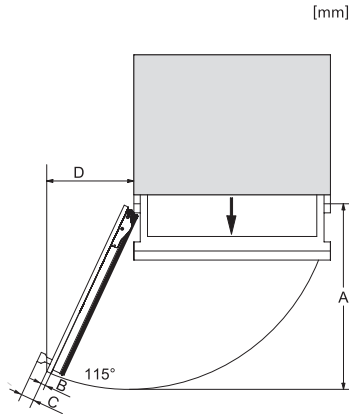
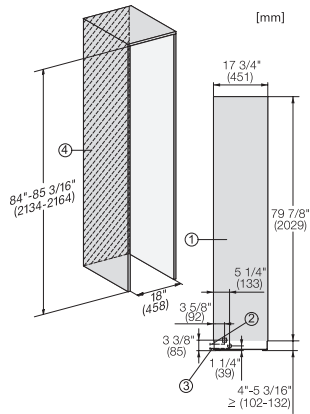
Side-by-Side, MasterCool, footnote, installation drawings

KFP1805ed/cs, KFP1804ed/cs, Front panel, Front dimensions, MasterCool, installation drawings

\*Niche height, 1 = Side-by-side fitting kit including pre-installed side wall heating KSK 200x, 2 = Furniture plinth height 102 - 132 mm (the appliance feet can be adjusted up to 30 mm high), 3 = Total appliance niche width 1220 mm (458 mm + 762 mm)

1. KSK 2001/2002, 2. Device A, 3. Device B, A = niche device A, B = niche device B

F 2413 Vi  
MasterCool freezer  
For high-end design and technology on a large scale.



F2413Vi, F2471Vi, F2471SF, F2461Vi, F2411Vi, F2411SF, installation, MasterCool, installation drawings

1. View from the front, 2. Mains Connection cable, L = 3000 mm (118 inch), 3. Water inlet position, L = 2000 mm (not for KON USA), 4. No water/ELT connections permitted in this area

Opening angle 90°/115°, right side stop, MasterCool (Sketch) with footnote

A) Appliance door , F 2411 Vi: 525 mm (20 2/3 inch);, F 2412 Vi, F 2412 SF, F 2413Vi, F 2472 Vi, F 2472 SF: 525 mm (20 2/3 inch);, F 2671 Vi: 677 mm (26 2/3 inch);, F 2672 Vi, F 2672 SF: 677 mm (26 2/3 inch);, F 2812 SF, F 2812 Vi, F 2813 Vi: 829 mm (32 2/3 inch);, F 2912 Vi, F 2912 SF: 982 mm (38 2/3 inch);, B) Furniture front (max. 38 mm) (1 1/2 inch), C) Door handle, D) Distance from the door to the wall (without furniture front and door handle): , F 2411 Vi: 237 mm (9 1/3 inch);, F 2412 Vi, F 2412 SF, F 2472 Vi, F 2472 SF: 237 mm (9 1/3 inch);, F 2672 Vi, F 2672 SF: 296 mm (11 2/3 inch);, F 2811 Vi: 363 mm (14 1/3 inch);, F 2812 SF, F 2812 Vi: 363 mm (14 1/3 inch);, F 2912 Vi, F 2912 SF: 428 mm (16 7/8 inch);, E) ONLY valid for SF versions: A + 25 mm (1 inch)