

TSD263WP 8kg
T1 heat-pump dryer:
A++ | 8 kg | Miele@home | EcoDry | FragranceDos



- Complete app control of your tumble dryer with Miele@home*
- EcoDry for efficient performance over the entire tumble dryer service life**
- FragranceDos ensures your laundry smells wonderfully fresh after drying***
- PerfectDry ensures that your laundry is not too damp or too dry
- Easy fingertip operation – DirectSensor

* This is a separate digital offer from Miele & Cie. KG. The range of functions can vary depending on the model and the country. Acceptance of the Terms and Conditions and Privacy Policy for Miele digital products and services in the Miele app required. Miele reserves the right to change or discontinue the digital offer at any time.

** Filter system patent EP 2 455 537

*** Patent EP 2 431 516

EAN: 4002516488538 / Material number: 11871770 /
Old Material Number: 12SD2632GB

General information	
Model identifier	TSD263WP 8kg
Manufacturer material number	11871770
EAN number	4002516488538
Construction type	
Suitable for stacking	•
Door hinging	left, Reversible
Side-by-side	•
Slot-in	•
Model	
Product brand	T1 White Edition
Heat pump dryer	•
Design	
Appliance colour	Lotus white
Control panel colour	Lotus white
Door design	Lotus white
Rotary selector colour	Lotus White
Control panel version	5° inclined
Control type	Rotary control
Display	DirectSensor yellow, 7 segment
Drying results	
PerfectDry precision drying	•
FragranceDos fragrance system	•
Intelligent drum reversal	•
Gentle laundry care	
Honeycomb drum	•
Load in kg	8
User convenience	
Networking with Miele@home	•
Wash2Dry	•
Delay start up to 24 hours	•
Time left display	•
Programme sequence indicator	No
Drum lighting	LED
Condensate container	•
Integrated condensed water drainage	•
AddLoad	•
Efficiency	
Energy efficiency class (A+++ – D)	A++
Annual energy consumption in kWh	192
Duration in minutes in the standard programme	165
Noise in the Cottons programme with full load in db(A) re 1 pW	66
Condensation efficiency class	A
EcoDry technology	•
Maintenance-free heat exchanger	•
ProfiEco motor	•

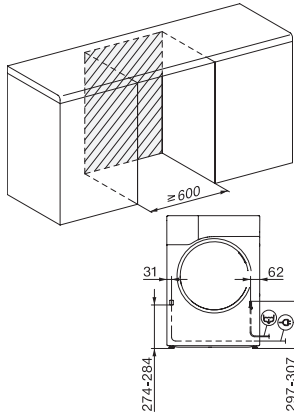
TSD263WP 8kg
 T1 heat-pump dryer:
 A++ | 8 kg | Miele@home | EcoDry | FragranceDos



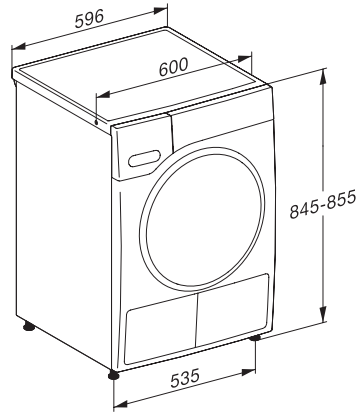
EAN: 4002516488538 / Material number: 11871770 /
 Old Material Number: 12SD2632GB

Drying programmes	
Cottons (coloureds)	•
Cottons arrow	•
Minimum iron	•
Delicates	•
Shirts	•
Woollens handcare	•
Express	•
Proofing	•
Bed linen	•
Warm air/DryFresh	•
Drying extras	
Anti-crease	•
Gentle tumble	•
Buzzer	•
Quality	
Soft ribs	•
Safety	
PIN-Code	•
Empty out container indicator	•
Clean filter indication	•
Optical interface	•
Technical data	
Dimensions (H x W x D) in mm	850 x 596 x 643
Dimensions in mm (width)	596
Dimensions in mm (height)	850
Dimensions in mm (depth)	643
Weight in kg	53
Voltage in V	220-240
Fuse rating in A	13
Frequency in Hz	50
Total rated load in kW	1.10
Length of supply lead in m	2.0
Hermetically sealed	•
Type of coolant	R290
Refrigerant quantity in kg	0.11
Refrigerant global warming potential in CO ₂ e	3
Appliance global warming potential in CO ₂ e	0.33
Replacing lamps	Service
Accessories included	
Fragrance flacon	•
Voucher for a second fragrance flacon	•

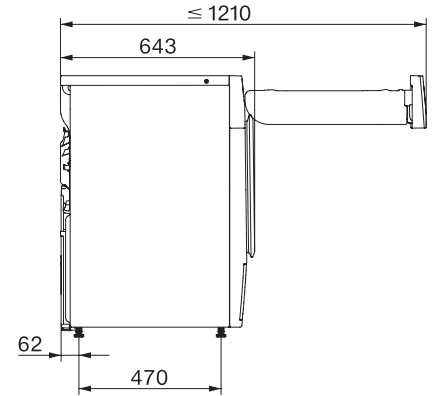
TSD263WP 8kg
T1 heat-pump dryer:
A++ | 8 kg | Miele@home | EcoDry | FragranceDos



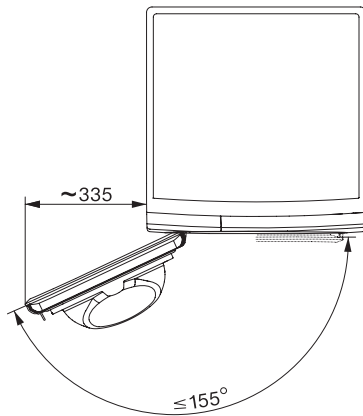
T1 installation drawing, facia 5 degree, measures in mm



T1 drawing, facia 5 degree, measures in mm



T1 drawing, facia 5 degree, with porthole, measures in mm



T1 drawing, facia 5 degree, measures in mm