

## KMDA 7476 FL

Induction hob with integrated vapour extraction

with two extra large PowerFlex XL cooking areas and flush-fit vapour extraction



- Ample space – 4 large cooking zones incl. 2 PowerFlex XL areas
- Elegant design – flush fit downdraft extractor
- Automatic fan power regulation – Con@ctivity
- Compact control using the numerical display – ComfortSelect Plus
- Energy-efficient and quiet – powerful ECO motor

**A++**

EAN: 4002516451020 / Material number: 11789940 / Old Material Number: 26747672GB

<b>Construction type</b>	
Induction hob with integrated vapour extraction	•
<b>Operating modes</b>	
Exhaust air guided with optional accessories	DFK-xxxx, DMK 150-1
Recirculation air guided with optional accessories	Can be retrofitted
Recirculation air guided with optional accessories	DFK-xxxx, DUU 1000-2
<b>Design</b>	
Elegant glass ceramic surface	•
Flush	•
Ceramic surface colour	Black
Frameless – surface-mounted	•
Flush fit extractor	•
Colour of cover grille	Stainless steel
<b>Cooking zone details</b>	
Number of cooking zones	4
Number of cooking areas	2
Maximum number of pans	4
<b>PowerFlex cooking zones</b>	
No.	4
Type	PowerFlex XL cooking area
Diameter in mm	Ø 150 – 230
Rating in W	2100
Booster in W	3000
TwinBooster in W	3650
<b>1st cooking zone/cooking area</b>	
Position	Left
Type	PowerFlex XL cooking area
Size in mm	230x460
Max. Booster power rating in W	4800
Max. rating in W	3400
Max. TwinBooster power rating in W	7300
<b>2nd cooking zone/cooking area</b>	
Position	right
Type	PowerFlex XL cooking area
Size in mm	230x460
Max. Booster power rating in W	4800
Max. rating in W	3400
Max. TwinBooster power rating in W	7300
<b>User convenience</b>	
Miele@home	•
Operation via sensor controls	ComfortSelect Plus
Automatic function Con@ctivity	•
Digital power level display	•
Display colour	Yellow
Auto heat-up	•
Keeping warm	•
Stop & Go function	•
Recall function	•
Safety switch-off	•
Permanent pan recognition	•

## KMDA 7476 FL

Induction hob with integrated vapour extraction

with two extra large PowerFlex XL cooking areas and flush-fit vapour extraction



EAN: 4002516451020 / Material number: 11789940 / Old Material Number: 26747672GB

Individual setting options (e.g. buzzers)	•
Active charcoal filter saturation indicator	•
Run-on time 5/15 min.	•
Wipe protection	•
Grease filter saturation indicator	•
Minute minder	•
Easy-to-clean canopy interior – CleanCover	•
<b>Efficiency and sustainability</b>	
Energy efficiency class (A+++ – D)	A++
ECO motor	•
Annual energy consumption in kWh/year	27.6
Fluid dynamic efficiency class	A
Lighting efficiency class	-
Grease filtering efficiency class	A
<b>Cleaning and care</b>	
Easy to clean ceramic glass	•
<b>Filter system</b>	
Number of dishwasher-safe stainless steel grease filters (10-ply)	1
<b>Exhaust air</b>	
Air throughput at min. level (m <sup>3</sup> /h) according to EN 61591	160
Air throughput at max. level (m <sup>3</sup> /h) according to EN 61591	490
Air throughput in Intensive level (m <sup>3</sup> /h) according to EN 61591	580
Air throughput in Booster level (m <sup>3</sup> /h) according to EN 61591	580
Sound power at min. level (dB(A) re 1 pW) according to EN 60704-3	45.0
Sound power at max. level (dB(A) re 1 pW) according to EN 60704-3	69.0
Sound power in Booster level (dB(A) re 1 pW) acc. to EN 60704-3	73.0
Sound pressure at min. level (dB(A) re 20 µPa) according to EN 60704-2-13	31.0
Sound power in Booster level (dB(A) re 1 pW) acc. to EN 60704-3	73.0
Sound pressure at max. level (dB(A) re 20 µPa) according to EN 60704-2-13	56.0
Noise pressure level in Intensive level (dB(A) re 20 µPa) according to EN 60704-2-13	60.0
Sound pressure in Booster level (dB(A) re 20 µPa) acc. to EN 60704-2-13	60.0
<b>Recirculation</b>	
Air throughput at min. level (m <sup>3</sup> /h) according to EN 61591	105
Air throughput at max. level (m <sup>3</sup> /h) according to EN 61591	410
Air throughput in Booster level 1 (m <sup>3</sup> /h) according to EN 61591	510
Sound power at min. level (dB(A) re 1 pW) according to EN 60704-3	43.0
Sound power at max. level (dB(A) re 1 pW) according to EN 60704-3	70.0
Sound pressure at min. level (dB(A) re 20 µPa) according to EN 60704-2-13	29.0

## KMDA 7476 FL

Induction hob with integrated vapour extraction

with two extra large PowerFlex XL cooking areas and flush-fit vapour extraction

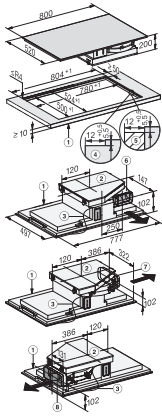


EAN: 4002516451020 / Material number: 11789940 / Old Material Number: 26747672GB

Sound power in Booster level 1 (dB(A) re 1 pW) acc. to EN 60704-3	70.0
Sound pressure at max. level (dB(A) re 20 µPa) according to EN 60704-2-13	56.0
Sound pressure in Booster level 1 (dB(A) re 20 µPa) acc. to EN 60704-2-13	62.0
<b>Safety</b>	
Safety switch-off	•
Lock function	•
System lock	•
Integrated cooling fan	•
Overheating protection	•
Residual heat indicator	•
Connection for window contact switch	•
<b>Technical data</b>	
Dimensions in mm (width)	800
Dimensions in mm (height)	200
Dimensions in mm (depth)	520
Cutout dimensions in mm (width) with surface-mounted installation	780
Cutout dimensions in mm (depth) with surface-mounted installation	500
Casing height incl. connection box in mm	200
Internal cutout dimensions in mm (width) with flush installation	780
Internal cutout dimensions in mm (depth) with flush installation	500
Weight in kg	20
External cutout dimensions in mm (width) with flush installation	804
External cutout dimensions in mm (depth) with flush installation	524
Total rated load in kW	7.30
Voltage in V	230
Frequency in Hz	50-60
Length of supply lead in m	1
<b>Accessories included</b>	
Mains cable	Yes

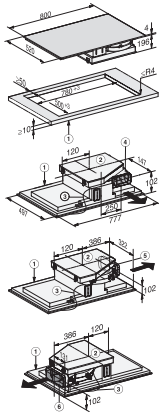
## KMDA 7476 FL

Induction hob with integrated vapour extraction  
with two extra large PowerFlex XL cooking areas and flush-fit vapour extraction



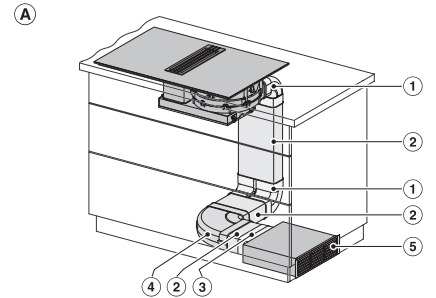
KMDA 7633 FL, KMDA 7634 FL, KMDA 7476 FL – flush (Installation drawing)

- 1) Front, 2) The removable drip tray must be accessible after installation. , 3) Mains connection box with mains connection cable, L = 1440 mm, 4) Stepped cut-out, 5) Wooden support frame (not supplied with the appliance), 6) Duct connection at rear >220-222 x 89-90 / R1-R19 (machine delivered with this option), 7) Duct connection to the right >220-222 x 89-90 / R1-R19 (requires conversion), 8) Duct connection to the left >220-222 x 89-90 / R1-R19 (requires conversion)



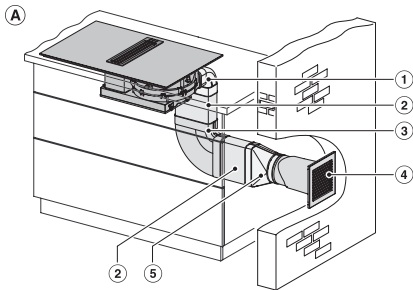
KMDA 7633 FL, KMDA 7634 FL, KMDA 7476 FL – frameless supported (Installation drawing)

- 1) Front, 2) The removable drip tray must be accessible after installation. , 3) Mains connection box with mains connection cable, L = 1440 mm, 4) Duct connection at rear >220-222 x 89-90 / R1-R19 (machine delivered with this option), 5) Duct connection to the right >220-222 x 89-90 / R1-R19 (requires conversion), 6) Duct connection to the left >220-222 x 89-90 / R1-R19 (requires conversion)



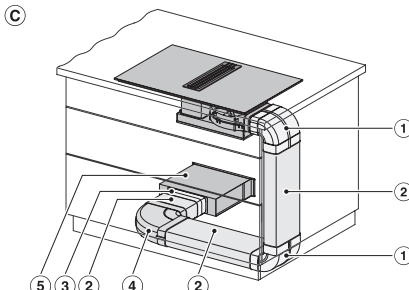
KMDA 7633, KMDA 7634, KMDA 7476 Built-in version 1 (Installation drawing)

- 1) DFK-BV 90, 2) DFK-R 1000, 3) DFK-V, 4) DFK-BH 90, 5) DUU 1000-2



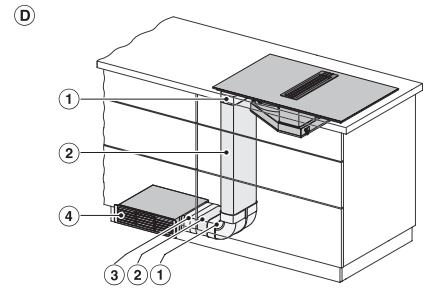
KMDA 7633 KMDA 7634, KMDA 7476 - Built-in version 6 (Installation drawing)

- 1) DFK-BV 90, 2) DFK-R 1000, 3) DFK-BH 90, 4) DMK 150-1, 5) DFK-A



KMDA 7633, KMDA 7634, KMDA 7476 - built-in version (Installation drawing)

- 1) DFK-BV 90, 2) DFK-R 1000, 3) DFK-V, 4) DFK-BH 90, 5) DUU 1000-2

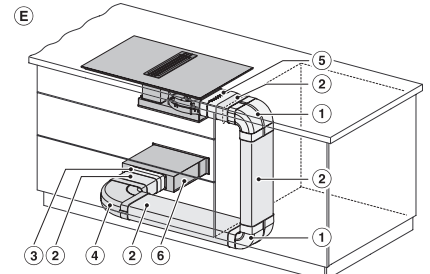
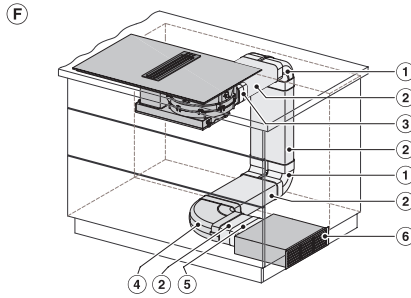
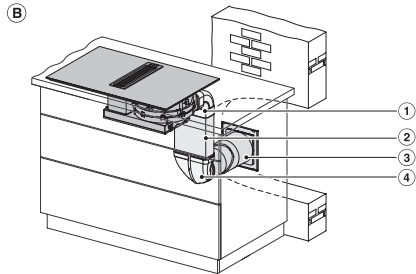


KMDA 7633, KMDA 7634, KMDA 7476 - built-in version (Installation drawing)

- 1) DFK-BV 90, 2) DFK-R 1000, 3) DFK-V, 4) DUU 1000-2

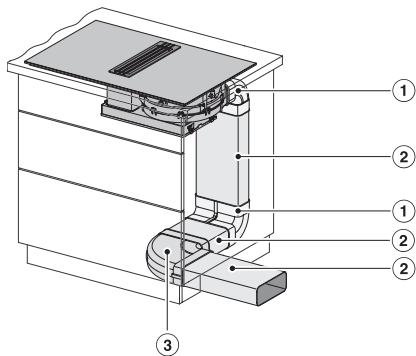
## KMDA 7476 FL

Induction hob with integrated vapour extraction  
with two extra large PowerFlex XL cooking areas and flush-fit vapour extraction



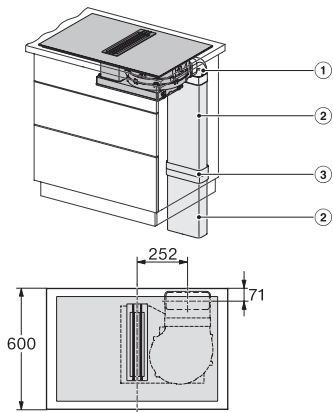
KMDA 7633, KMDA 7634, KMDA 7476 - built-in version 7 (Installation drawing)

1) DFK-BV 90, 2) DFK-R 1000, 3) DMK 150-1, 4) DFK-AK 90



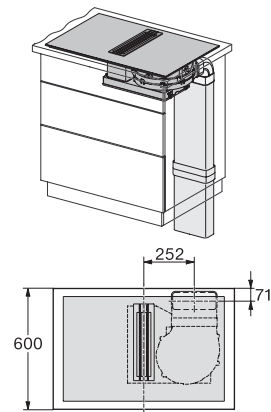
KMDA 7633, KMDA 7634, KMDA 7476 - built-in version 2 (Installation drawing)

1) DFK-BV 90, 2) DFK-R 1000, 3) DFK-L, 4) DFK-BH 90, 5) DFK-V, 6) DUU 1000-2



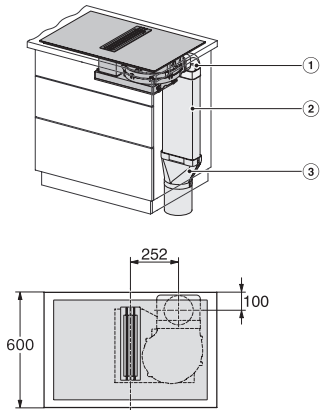
KMDA 7633, KMDA 7634, KMDA 7476 - built-in version 5 (Installation drawing)

1) DFK-BV 90, 2) DFK-R 1000, 3) DFK-V, 4) DFK-BH 90, 5) DFK-L, 6) DUU 1000-2



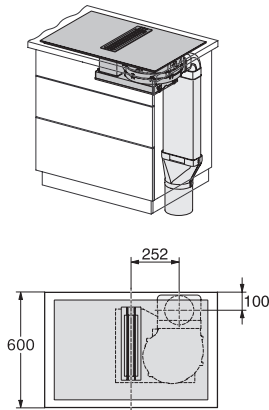
KMDA 7633, KMDA 7634, KMDA 7476 - built-in version 8 (Installation drawing)

1) DFK-BV 90, 2) DFK-R 1000, 3) DFK-BH 90



KMDA 7633, KMDA 7634, KMDA 7476 - built-in version 10 (Installation drawing)

1) DFK-BV 90, 2) DFK-R 1000, 3) DFK-V



KMDA 7633, KMDA 7634, KMDA 7476 - built-in version 10 (Installation drawing)

KMDA 7633, KMDA 7634, KMDA 7476 - built-in version 11 (Installation drawing)

1) DFK-BV 90, 2) DFK-R 1000, 3) DFK-V

KMDA 7633, KMDA 7634, KMDA 7476 - built-in version 11 (Installation drawing)