

KFN 7764 D

Built-in fridge-freezer combination

FlexiLight 2.0, DynaCool and NoFrost for convenience that will impress.



- Spacious drawer with moisture control – DailyFresh
- Individually adjustable glass shelf lighting with FlexiLight 2.0
- No icing up of food and no need to defrost thanks to NoFrost
- Uniform temperature distribution inside the appliance – DynaCool
- Door shelf heights can be adjusted individually



EAN: 4002516413820 / Material number: 11730420 / Old Material Number: 38776400GB

Appliance category	
Fridge-freezer	•
Construction type	
Built-in appliance	•
Integrated appliance	•
Door hinge	right
Convertible door hinging	•
Design	
Refrigeration section lighting	FlexiLight 2.0
Freezer compartment lighting	LED
Fan lighting	•
User convenience	
Networking with Miele@home	•
Freshness system	DailyFresh
Fine adjustment inner door	•
ComfortClean	•
DynaCool	•
NoFrost	•
DuplexCool	•
ComfortSize	•
VarioRoom	•
SoftClose	•
Control system	
Operating concept	FreshTouch
Fridge compartment can be switched off	Yes
Independent temperature regulation of fridge and freezer zones	Yes
Automatic SuperCool	•
SuperFreeze	•
No. of temperature zones	2
Sabbath mode	•
Party mode	•
Holiday mode	•
Fridge/Fridge section	
No. of shelves	5
of which illuminated	2
No. of crisper drawers	1
Dry back wall	CleanSteel
Number of inner door racks for tinned food	3
Door rack for bottles	1
Door shelves	4
Freezer/Freezer section	
Number of freezer drawers	3
of which on runners	2
Efficiency and sustainability	
Energy efficiency class (A–G)	D
Annual energy consumption in kWh	181.40
Energy consumption in 24 h in kWh	0.49
Safety	
Lock function	•

KFN 7764 D

Built-in fridge-freezer combination

FlexiLight 2.0, DynaCool and NoFrost for convenience that will impress.



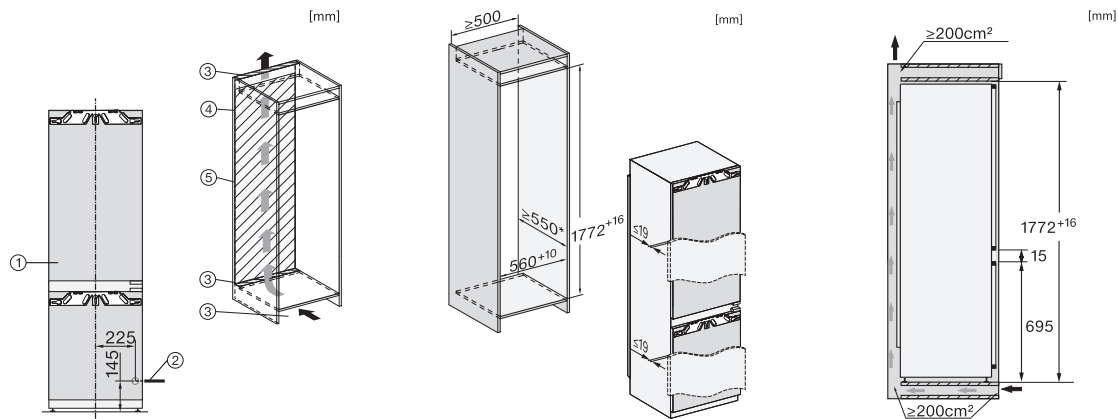
EAN: 4002516413820 / Material number: 11730420 / Old Material Number: 38776400GB

Acoustic door alarm	•
Acoustic temperature alarm	•
Optical door alarm	•
Optical temperature alarm	•
Power cut indication for freezer section	•
Technical data	
Niche width in mm min.	560
Niche width in mm max.	570
Niche height in mm min.	1772
Niche height in mm max.	1788
Niche depth in mm	550
Appliance width in mm	559
Appliance height in mm	1770
Appliance depth in mm	545
Weight in kg	64.9
Door hinge technology	Fixed door
Max. door front weight – refrigerator, in kg	18
Max. door front weight – freezer, in kg	12
Climate class	SN-T
Refrigerator compartment in l	184
4* freezer compartment in l	70
Total usable capacity in l	254
Storage time in case of fault in h	9
Freezer capacity in kg/24 h	6.00
Acoustic airborne noise emission class (A–D)	B
Sound emissions in dB(A) re 1 pW	34
Current consumption (mA)	1400
Voltage in V	220-240
Fuse rating in A	10
Number of phases	1
Frequency in Hz	50
Length of supply lead in m	2.2
Replacing lamps	Service
Accessories included	
Egg tray	•
Ice cube tray	•

KFN 7764 D

Built-in fridge-freezer combination

FlexiLight 2.0, DynaCool and NoFrost for convenience that will impress.



KFN7734C, KFN7734F, KFN7734D, KFN7764D, KFN7785D, KFN7744E, KFN7774D, installation (footnote*) (installation drawings)

*1. View from the front, 2. Mains connection cable, L = 2100 mm, 3. Ventilation cut-out min. 200 cm², 4. Ventilation, 5. No connections permitted in this area

KFN7734C, KFN7734F, KFN7734D, KFN7764D, KFN7785D, KFN7744E, KFN7774D, built-in (footnote*) (installation drawings)

*The declared energy consumption was calculated in a 560 mm deep niche. The appliance is fully functional in a 550 mm niche but the energy consumption will be slightly higher.

KFNS7734D, KFN7734C, KFN7734F, KFN7734D, KFN7764D, KFN7785D, KFN7744E, KFN7774D, side view (installation drawings)