

DFK-AK 90

Flat ducting adapter

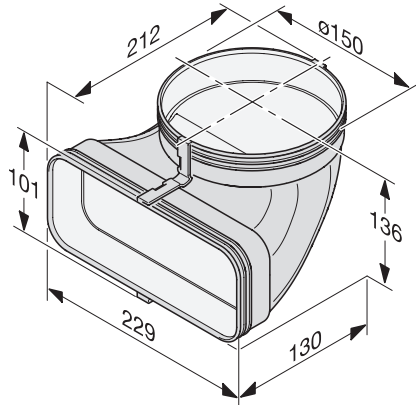
For effective and customised air guidance.

EAN: 4002516362128 / Material number: 11590720 / Old Material Number: 28996417D



- Integrated air-guide profiles for optimum airflow properties
- National building regulations must be complied with
- Ducting parts made from white plastic, flame resistant
- Compact adapter, rectangular-round 90°, 130 mm deep 136 mm high

DFK-AK 90  
Flat ducting adapter  
For effective and customised air guidance.



DFK-AK90, Adapter short, square-round 90°, installation drawing