

KWT 2612 Vi  
MasterCool wine conditioning unit  
For high-end design and technology on a large scale.

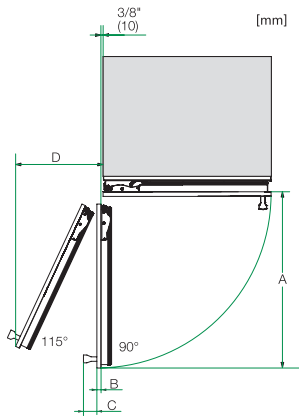
EAN: 4002516336747 / Material number: 11530900 / Old Material Number: 36261205GB



- Push2open for convenient door-opening assistance
- Various wines at the perfect temperature – 3 temperature zones
- Flexible storage of large wine bottles thanks to FlexiFrame
- Light floods the interior thanks to LED elements – BrilliantLight
- Communication with appliances couldn't be easier – WiFiConnect

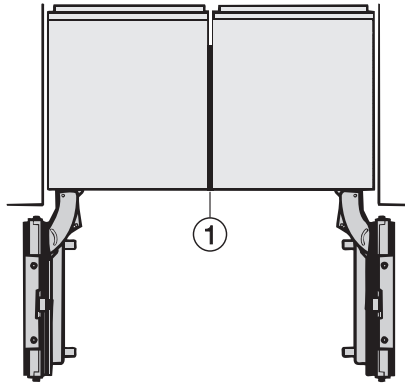


## KWT 2612 Vi MasterCool wine conditioning unit For high-end design and technology on a large scale.



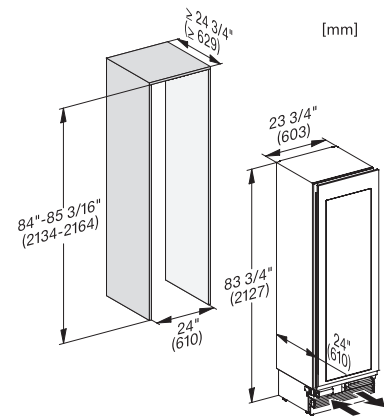
Opening angle 90°/115°, right side stop, MasterCool (Sketch) with footnote

A) Appliance door: K 2611 Vi, KWT 2611 Vi, KWT 2611 SF, KWT 2671 ViS: 677 mm (26 2/3 inch); K 2612 Vi, KWT 2612 Vi, KWT 2612 SF, KWT 2672 ViS: 677 mm (26 2/3 inch); K 2811 Vi, K 2811 SF, KF 2811 Vi, KF 2811 SF: 829 mm (32 2/3 inch); K 2812 Vi, K 2812 SF, KF 2812 Vi, KF 2812 SF: 829 mm (32 2/3 inch); K 2911 Vi, K 2911 SF, KF 2911 Vi, KF 2911 SF: 982 mm (38 2/3 inch); K 2912 Vi, K 2912 SF, KF 2912 Vi, KF 2912 SF: 982 mm (38 2/3 inch); B) Furniture front (max. 38 mm) (1 1/2 inch), C) Door handle, D) Distance from the door to the wall (without furniture front and door handle): K 2611 Vi, KWT 2611 Vi, KWT 2611 SF, KWT 2671 ViS: 296 mm (11 2/3 inch); K 2612 Vi, KWT 2612 Vi, KWT 2612 SF, KWT 2672 ViS: 296 mm (11 2/3 inch); K 2811 Vi, K 2811 SF, KF 2811 Vi, KF 2811 SF: 363 mm (14 1/3 inch); K 2812 Vi, K 2812 SF, KF 2812 Vi, KF 2812 SF: 363 mm (14 1/3 inch); K 2911 Vi, K 2911 SF, KF 2911 Vi, KF 2911 SF: 428 mm (16 7/8 inch); K 2912 Vi, K 2912 SF, KF 2912 Vi, KF 2912 SF: 428 mm (16 7/8 inch); E) ONLY valid for SF versions: A + 25 mm (1 inch)

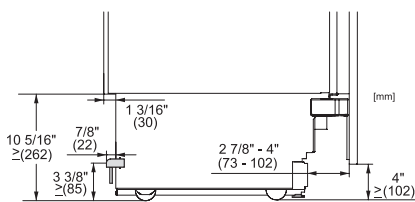


Side-by-side, MasterCool, without partition wall, with heating mat (Sketch) (with footnote)

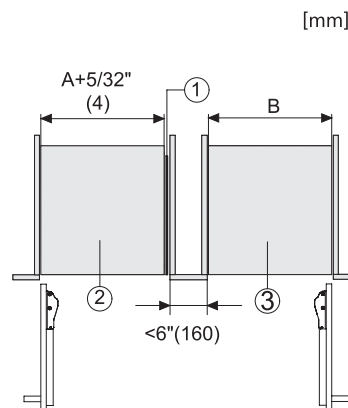
1) Heating mat KSK 2001 (EU, AUS, CN) or KSK 2002 (US, CA, MX, BR)



KWT2611Vi, KWT2671ViS, KWT2601Vi, KWT2661ViS, installation, MasterCool, installation drawings

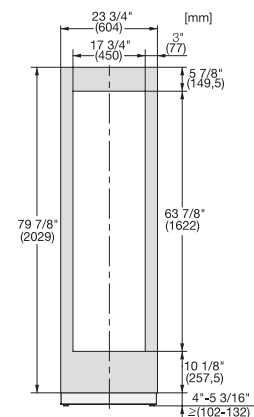


Sideview, MasterCool, Sketch



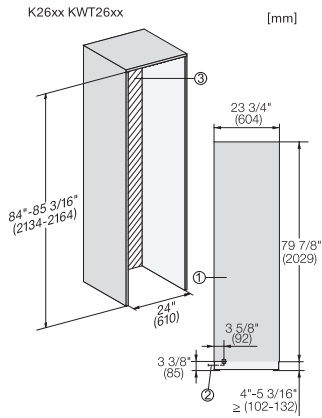
Side-by-Side, MasterCool, footnote, installation drawings

1. KSK 2001/2002, 2. Device A, 3. Device B, A = niche device A, B = niche device B



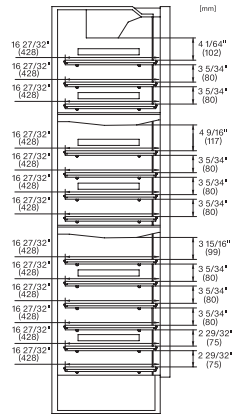
KFP2455ed/cs, KFP2454ed/cs, front panel, front dimensions, MasterCool, installation drawings

KWT 2612 Vi  
MasterCool wine conditioning unit  
For high-end design and technology on a large scale.

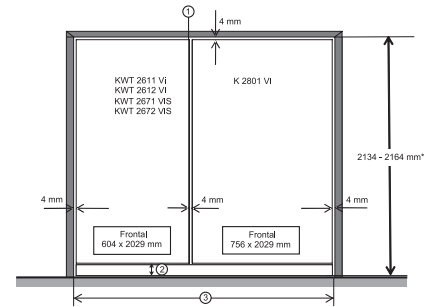


Installation, MasterCool, \*footnote, installation drawings

1. View from the front, 2. Mains connection cable, L = 3000 mm (118 inch), 3. No water/ELT connections permitted in this area



KWT2602Vi/SF, KWT2612Vi/SF, KWT2601Vi/SF, KWT2611Vi/SF, inner space, MasterCool, installation drawings



Example for dimensioning Side-by-side-Combination MasterCool (Sketch) (\*footnote) (only for EUROPE)

\*Niche height, 1 = Side-by-side fitting kit including pre-installed side wall heating KSK 200x, 2 = Furniture plinth height 102 - 132 mm (the appliance feet can be adjusted up to 30 mm high), 3 = Total appliance niche width 1366 mm (604 mm + 762 mm)