

KF 2982 Vi

MasterCool FrenchDoor

For high-end design and technology on a large scale.



- Push2open for convenient door-opening assistance
- Food stays fresh for up to 3 x longer thanks to MasterFresh
- Light floods the interior thanks to LED elements – BrilliantLight
- Convenient control thanks to colour touch display MasterSensor



EAN: 4002516336709 / Material number: 11530860 / Old Material Number: 38298201GB

<b>Appliance category</b>	
Fridge-freezer	•
<b>Construction type</b>	
Built-in appliance	•
Integrated appliance	•
Door hinge	Left and right
Side-by-side enabled	•
<b>Design</b>	
Lighting	BrilliantLight
<b>User convenience</b>	
Networking with Miele@home	•
Freshness system	MasterFresh
ComfortClean	•
DynaCool	•
NoFrost	•
DuplexCool Pro	•
SoftClose	•
SelfClose	•
IceMaker with mains water connection	•
Push2open	•
FullAccess	•
EasyClean	•
MaxLoad hinge	•
<b>Controls</b>	
Operating concept	MasterSensor
Independent temperature regulation of fridge and freezer zones	Yes
Automatic SuperCool	•
SuperFreeze	•
No. of temperature zones	2
Sabbath mode	•
Holiday mode	•
Eco mode	•
<b>Fridge/Fridge section</b>	
Height-adjustable tempered glass shelves	2
No. of crisper drawers	2
SlidingShelf	•
Door shelves for jars	2
Door rack for bottles	4
<b>Freezer/Freezer section</b>	
Number of freezer baskets	2
<b>Efficiency and sustainability</b>	
Energy efficiency class (A–G)	F
Annual energy consumption in kWh	415.37
Energy consumption in 24 h in kWh	1.13
Energy Star	•
<b>Safety</b>	
Lock function	•
Spill guard	•
Acoustic door alarm	•

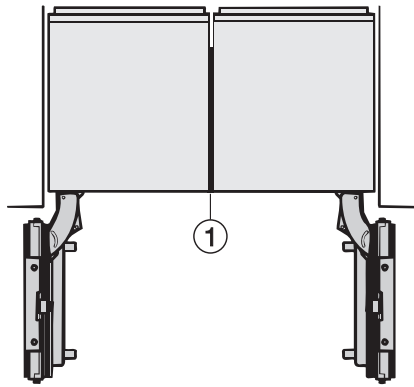
KF 2982 Vi  
MasterCool FrenchDoor  
For high-end design and technology on a large scale.



EAN: 4002516336709 / Material number: 11530860 / Old Material Number: 38298201GB

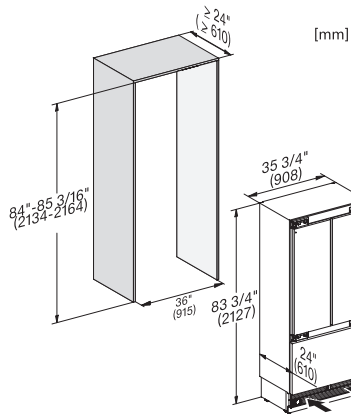
Acoustic temperature alarm	•
Optical door alarm	•
Optical temperature alarm	•
<b>Technical data</b>	
Niche width in mm min.	914
Niche width in mm max.	915
Niche height in mm min.	2134
Niche height in mm max.	2134
Niche depth in mm	629
Appliance width in mm	0
Appliance height in mm	0
Appliance depth in mm	0
Weight in kg	214.0
Door hinge technology	Fixed door
Max. door front weight – refrigerator, in kg	68
Max. door front weight – freezer, in kg	10
Climate class	SN-T
Refrigerator compartment in l	386
4* freezer compartment in l	166
Total usable capacity in l	552
Storage time in case of fault in h	13
Freezer capacity in kg/24 h	14.00
Acoustic airborne noise emission class (A–D)	D
Sound emissions in dB(A) re 1 pW	42
Current consumption (mA)	3000
Voltage in V	220-240
Fuse rating in A	13
Number of phases	1
Frequency in Hz	50-60
Length of supply lead in m	3.0
Replacing lamps	Customer Service
<b>Accessories supplied</b>	
Active AirClean filter	•
<b>Available display languages</b>	
Available display languages via MultiLingua	bahasa malaysia, dansk, deutsch, eesti, english, english (AU), english (CA), english (GB), english (US), español, français, français (CA), français (FR), hrvatski, italiano, latviesu, lietuviu, magyar, nederlands, norsk, polski, português, русский, română, slovenščina, slovenščina, srpski, suomi, svenska, türkçe, українська, čeština, ελληνικά,

KF 2982 Vi  
MasterCool FrenchDoor  
For high-end design and technology on a large scale.

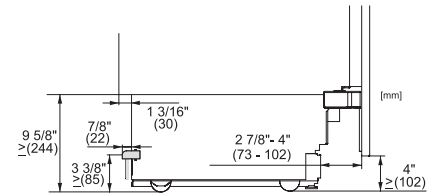


Side-by-side, MasterCool, without partition wall, with heating mat (Sketch) (with footnote)

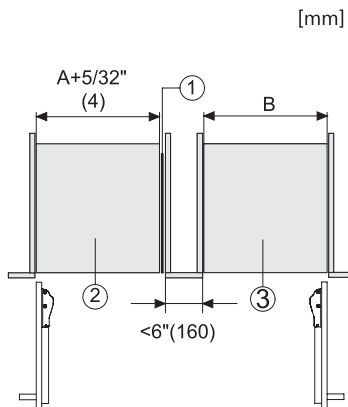
1) Heating mat KSK 2001 (EU, AUS, CN) or KSK 2002 (US, CA, MX, BR)



KF2982Vi, KF2981Vi, installation, MasterCool, installation drawings

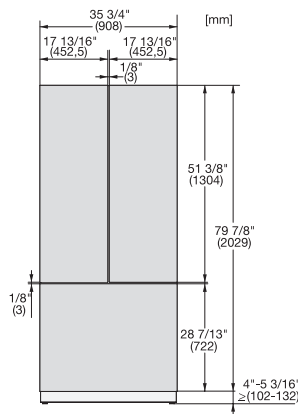


KF2901Vi/SF, KF2911Vi/SF, KF2801Vi/SF, KF2811Vi/SF, KF2981Vi/SF, sideview, MasterCool, installation drawings

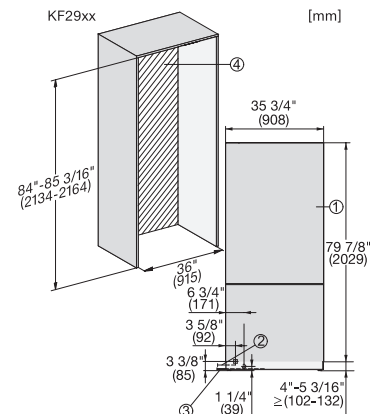


Side-by-Side, MasterCool, footnote, installation drawings

1. KSK 2001/2002, 2. Device A, 3. Device B, A = niche device A, B = niche device B



KFP3635ed/cs, KFP3634ed/cs R, KFP3634ed/cs L, KFP3634ed/cs, Front panel, Front dimensions, MasterCool, sketch



KF2902Vi/SF, KF2912Vi/SF, KF2982Vi/SF, KF2901Vi/SF, KF2911Vi/SF, KF2981Vi/SF, installation, MasterCool

1. View from the front, 2. Mains Connection cable, L = 3000 mm (118 inch), 3. Water inlet position, L = 2000mm (not for KON USA), 4. No water/ELT connections permitted in this area