

M 2224 SC

Built-in microwave oven

with sensor controls on the side for convenient operation.



- 7-segment display with sensor controls – EasySensor
- Optimum and even browning – integrated Quartz grill
- Perfect defrosting and cooking – Automatic programmes
- Food remains at serving temperature – keeping warm function
- Perfect and energy-saving lighting – LED lighting

EAN: 4002516262930 / Material number: 11390380 / Old Material Number: 24222420GB

Construction type	
Appliance Colour	Obsidian black
Construction type and design	
Built-in microwave oven	•
SideControl	•
Convenience features	
Keeping warm	•
Quartz grill	•
Operating modes	
Automatic programmes	•
Grill	•
Microwave solo operation	•
Microwave/grill combination mode	•
User convenience	
Display	EasySensor
Time of day display	•
Minute minder	•
Programmable cooking duration	•
Quick microwave	•
Individual settings	•
Efficiency and sustainability	
Night dimming	•
Cleaning and care	
Stainless steel oven compartment	•
Safety	
Appliance cooling system and touch-cool front	•
System lock	•
Safety switch-off	•
Safety lock "Door" warning	•
Technical data	
Oven compartment volume in l	17
Door hinge	Left
Oven light	1 LED spot
Oven interior height in cm	20.2
Turntable diameter in cm	27.2
Electronically controlled microwave power	•
Microwave power levels in W	80/150/300/450/600/800
Maximum microwave power in W	800
Grill power rating in W	800
Niche width min. in mm	462
Niche width max. in mm	468
Niche height min. in mm	350
Niche height max. in mm	362
Niche depth in mm	310
Appliance dimensions (W x H x D) in mm	495 x 372 x 310
Appliance width in mm	495
Appliance height in mm	372
Appliance depth in mm	310
Niche-independent venting	•
Weight in kg	14.4

M 2224 SC

Built-in microwave oven

with sensor controls on the side for convenient operation.



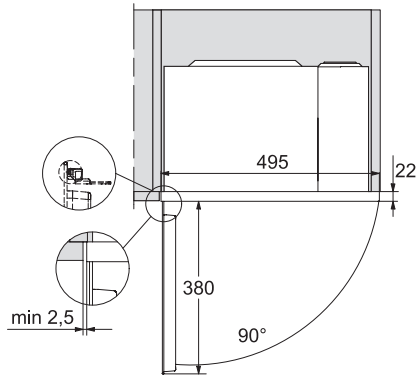
EAN: 4002516262930 / Material number: 11390380 / Old Material Number: 24222420GB

Total rated load in kW	1.25
Voltage in V	220-240
Frequency in Hz	50
Fuse rating in A	13
Number of phases	1
Mains cable with plug	•
Length of supply lead in m	1.60
Replacing lamps	Service
Accessories included	
Grilling rack	1
Gourmet plate	1

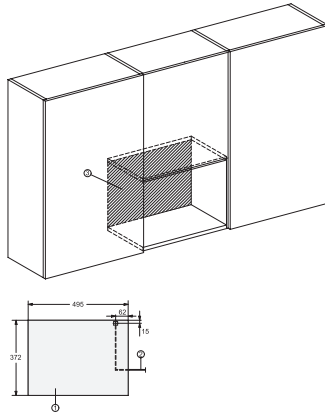
M 2224 SC

Built-in microwave oven

with sensor controls on the side for convenient operation.

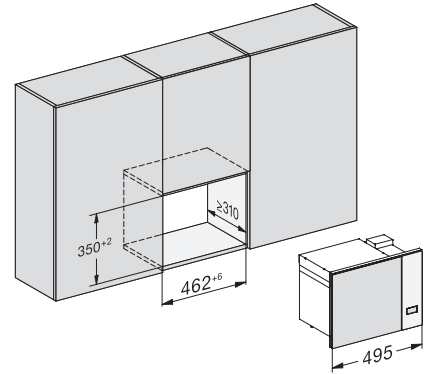


M2224SC, installation drawing



M2224SC, installation drawings

1) Front view, 2) Mains connection cable L=1,600 mm, 3)
No connection in this area



M2224SC, installation drawings