

WER865 WPS PWash&TDos&9kg
W1 front-loader washing machine
with TwinDos, PowerWash and Miele@home for smart laundry care.



- Tested for 20 years of perfect laundry care
- Save energy in the best energy efficiency class (A)
- M Touch – simple control by tapping or swiping
- Precise and automatic detergent dispensing with TwinDos®
- QuickPowerWash ensures fast, efficient results in just 49 minutes



EAN: 4002516257943 / Material number: 11359360 / Old Material Number: 11ER8656GB

| | |
|--|-------------------|
| Construction type | |
| Suitable for stacking | • |
| Side-by-side | • |
| Slot-in | • |
| Can be built-under | • |
| Door hinge | right |
| Model | |
| Product brand | W1 Chrome Edition |
| Front-loader | • |
| Spinning | |
| Max. spin speed | 1600 |
| Rinse hold | • |
| Without spin function | • |
| Design | |
| Appliance colour | Lotus white |
| Control panel colour | Lotus white |
| Control panel version | Straight |
| Control type | Touch control |
| Display | MTouch |
| Cleaning performance | |
| Innovative PowerWash technology | • |
| TwinDos automatic detergent dispensing | • |
| CapDosing portioned dispensing | • |
| Stains option | • |
| Certified virus hygiene | • |
| Gentle laundry care | |
| Honeycomb drum | • |
| Load in kg | 9.0 |
| User convenience | |
| Networking with Miele@home | • |
| Delay start up to 24 hours | • |
| Time left display | • |
| Time of day display | • |
| Programme sequence indicator | • |
| Washing assistant | • |
| Information text | • |
| Favourite programmes | • |
| Drum lighting | LED |
| MultiLingua | • |
| AutoClean detergent drawer | • |
| AddLoad | • |
| Efficiency and sustainability | |
| Energy efficiency class (A–G) | A |
| Weighted energy consumption per 100 operating cycles for the wash cycle in kWh | 49 |
| Weighted water consumption per cycle in l | 48 |
| Spin efficiency class | A |
| Acoustic airborne noise emission class (spin cycle) | A |
| Sound emissions during spin cycle in dB(A) re 1 pW | 68 |

WER865 WPS PWash&TDos&9kg
 W1 front-loader washing machine
 with TwinDos, PowerWash and Miele@home for smart laundry care.



EAN: 4002516257943 / Material number: 11359360 / Old Material Number: 11ER8656GB

| | |
|---|------|
| Duration of the "ECO 40-60" programme at nominal capacity | 199 |
| Power rating in off mode in W | 0.30 |
| Power rating in networked standby in W | 0.70 |
| EcoFeedback | • |
| Low temperature wash "Cold" and "20 °C" | • |
| Automatic load control | • |
| Flow meter | • |
| Foam sensing | • |
| ProfiEco motor | • |
| Wash programmes | |
| QuickPowerWash | • |
| Automatic plus | • |
| Cottons (coloureds) | • |
| Minimum iron | • |
| Delicates | • |
| Shirts | • |
| Silk (hand-washable) | • |
| Woollens (hand-washable) | • |
| Express 20 | • |
| Dark garments | • |
| Denim | • |
| Outerwear | • |
| Proofing | • |
| Sportswear | • |
| Trainers | • |
| Down duvets | • |
| Pillows | • |
| Down | • |
| Curtains | • |
| Cottons hygiene | • |
| Clean machine | • |
| Cottons Arrow | • |
| First wash | • |
| Separate rinse | • |
| Starch | • |
| Drain / Spin | • |
| ECO 40-60 | • |
| Washing extras | |
| SingleWash | • |
| Short | • |
| Soak | • |
| Pre-wash | • |
| Water plus | • |
| Additional rinse cycle | • |
| Extra quiet | • |
| Pre-ironing with steam | • |
| Buzzer | • |
| AllergoWash | • |
| Quality | |
| Counterweights made of cast iron | • |

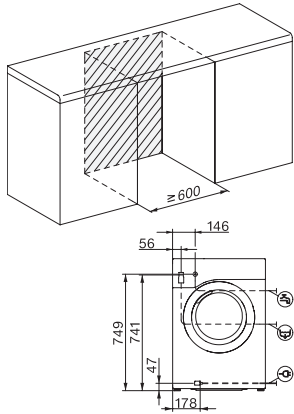
WER865 WPS PWash&TDos&9kg
 W1 front-loader washing machine
 with TwinDos, PowerWash and Miele@home for smart laundry care.



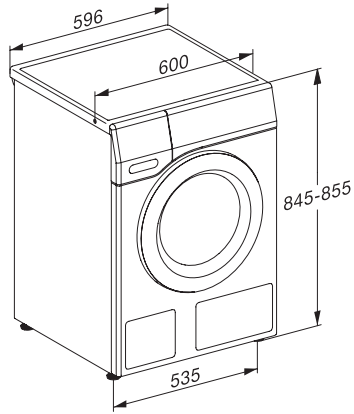
EAN: 4002516257943 / Material number: 11359360 / Old Material Number: 11ER8656GB

| Safety | |
|---|--|
| Water protection system | Waterproof-System |
| Safety lock | • |
| PIN-Code | • |
| Optical interface | • |
| Technical data | |
| Dimensions in mm (width) | 596 |
| Dimensions in mm (height) | 850 |
| Dimensions in mm (depth) | 636 |
| Appliance depth in mm with opened door | 1054 |
| Appliance depth excluding door (for building-under) in mm | 600 |
| Weight in kg | 95 |
| Total rated load in kW | 2.10-2.40 |
| Voltage in V | 220-240 |
| Fuse rating in A | 13 |
| Frequency in Hz | 50 |
| Length of supply lead in m | 2 |
| Replacing lamps | Service |
| Accessories included | |
| 3 Caps | • |
| UltraPhase 1 + 2 | • |
| Voucher for 5 Miele UltraPhase cartridges | • |
| Available display languages | |
| Available display languages via MultiLingua | bahasa malaysia, dansk, deutsch, english (AU), english (CA), english (GB), english (US), español, français (CA), français (FR), hrvatski, italiano, magyar, nederlands, norsk, polski, portugues, русский, română, slovenčina, slovenščina, srpski, suomi, svenska, türkçe, українська, čeština, ελληνικά, |

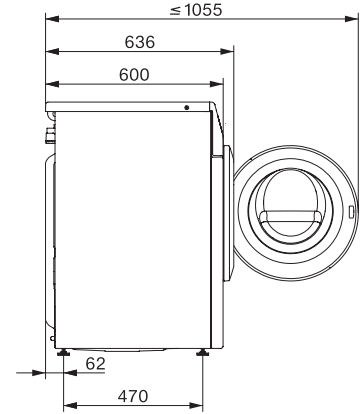
WER865 WPS PWash&TDos&9kg
W1 front-loader washing machine
with TwinDos, PowerWash and Miele@home for smart laundry care.



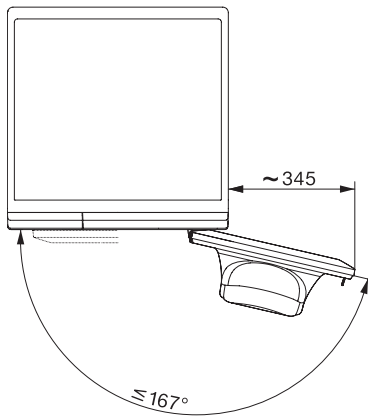
W1 installation drawing, slanted facia or straight facia, measures in mm



W1 drawing, slanted facia or straight facia, measures in mm



W1 drawing, slanted facia or straight facia, measures in mm



W1 drawing, slanted facia or straight facia, measures in mm