

WSI863 WCS PWash&TDos&9kg

W1 front-loader washing machine:

A | 9 kg | 1600 rpm | Automatic dispensing | QuickPowerWash | Virus hygiene



- Precise and automatic detergent dispensing with TwinDos®*
- QuickPowerWash ensures fast, efficient results in just 49 minutes**
- Exclusive CapDosing range for different fabrics and stains***
- Display & convenient operation at your fingertips – ComfortSensor
- Complete app control of your washing machine with Miele@home****

* Patent EP 2 784 205

** This applies to all Miele washing machines that enable the process and machine-related parameters presented in the summary of the WL 1110/18 test report to be implemented.

*** Patent EP 2 365 120

**** Additional digital offer from Miele & Cie. KG. All smart applications are made possible with the Miele@home system. The range of functions can vary depending on the model and the country.



EAN: 4002516257608 / Material number: 11359350 / Old Material Number: 11SI8631GB

Construction type	
Suitable for stacking	•
Side-by-side	•
Slot-in	•
Door hinge	right
Model	
Product brand	W1 White Edition
Front-loader	•
Spinning	
Max. spin speed	1600
Rinse hold	•
Without spin function	•
Design	
Appliance colour	Lotus white
Control panel colour	Lotus white
Door design	Obsidian black with white ring
Rotary selector colour	Lotus White
Control panel version	5° inclined
Control type	Rotary control
Display	ComfortSensor white, 1 line
Cleaning performance	
Innovative PowerWash technology	•
TwinDos automatic detergent dispensing	•
CapDosing portioned dispensing	•
Stains option	•
Certified virus hygiene	•
Gentle laundry care	
Honeycomb drum	•
Load in kg	9.0
User convenience	
Networking with Miele@home	•
Delay start up to 24 hours	•
Time left display	•
Programme sequence indicator	•
MultiLingua	•
AutoClean detergent drawer	•
AddLoad	•
Efficiency and sustainability	
Energy efficiency class (A–G)	A
Weighted energy consumption per 100 operating cycles for the wash cycle in kWh	49
Weighted water consumption per cycle in l	48
Spin efficiency class	A
Acoustic airborne noise emission class (spin cycle)	A
Sound emissions during spin cycle in dB(A) re 1 pW	68
Duration of the “ECO 40–60” programme at nominal capacity	199
Power rating in off mode in W	0.40

WSI863 WCS PWash&TDos&9kg

W1 front-loader washing machine:

A | 9 kg | 1600 rpm | Automatic dispensing | QuickPowerWash | Virus hygiene



EAN: 4002516257608 / Material number: 11359350 / Old Material Number: 11SI8631GB

Power rating in networked standby in W	0.80
EcoFeedback	•
Low temperature wash "Cold" and "20 °C"	•
Automatic load control	•
Flow meter	•
Foam sensing	•
ProfiEco motor	•
Wash programmes	
QuickPowerWash	•
Automatic plus	•
Cottons (coloureds)	•
Minimum iron	•
Delicates	•
Shirts	•
Silk (hand-washable)	•
Woollens (hand-washable)	•
Express 20	•
Dark garments / Denim	•
Outerwear	•
Proofing	•
Sportswear	•
Down duvets	•
Pillows	•
Down	•
Curtains	•
Cottons hygiene	•
Clean machine	•
Cottons Arrow	•
First wash	•
Separate rinse/Starch	•
Drain / Spin	•
ECO 40-60	•
Washing extras	
SingleWash	•
Short	•
Soak	•
Pre-wash	•
Water plus	•
Additional rinse cycle	•
Extra quiet	•
Pre-ironing with steam	•
Buzzer	•
AllergoWash	•
Safety	
Water protection system	Watercontrol-System
Safety lock	•
PIN-Code	•
Optical interface	•

WSI863 WCS PWash&TDos&9kg

W1 front-loader washing machine:

A | 9 kg | 1600 rpm | Automatic dispensing | QuickPowerWash | Virus hygiene



EAN: 4002516257608 / Material number: 11359350 / Old Material Number: 11SI8631GB

Technical data

Dimensions in mm (width)	596
Dimensions in mm (height)	850
Dimensions in mm (depth)	643
Appliance depth in mm with opened door	1077
Weight in kg	95
Total rated load in kW	2.10-2.40
Voltage in V	220-240
Fuse rating in A	13
Frequency in Hz	50
Length of water inlet hose in m	1.60
Length of water drain hose in m	1.50
Length of supply lead in m	2

Accessories included

3 Caps	•
UltraPhase 1 + 2	•
Voucher for 5 Miele UltraPhase cartridges	•

Available display languages

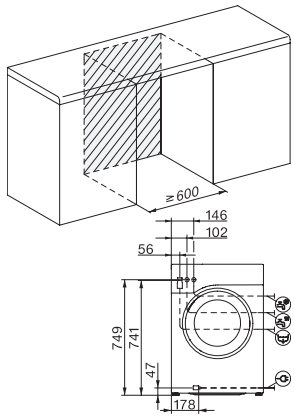
Available display languages through Multilingua

bahasa malaysia, deutsch,
english (AU), english (GB),
español, português, [?],
[?], [?], [?], [?], [?]

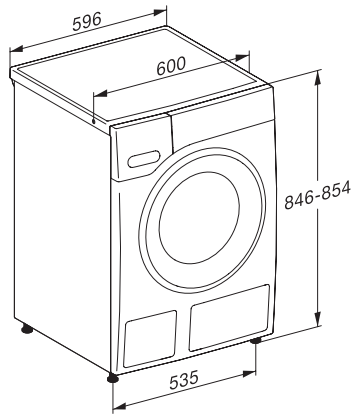
WSI863 WCS PWash&TDos&9kg

W1 front-loader washing machine:

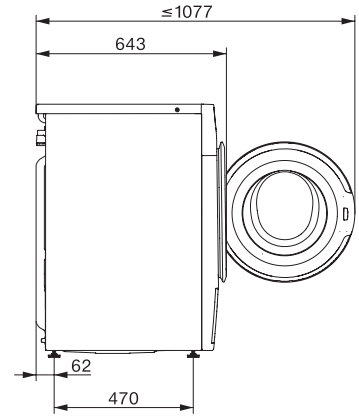
A | 9 kg | 1600 rpm | Automatic dispensing | QuickPowerWash | Virus hygiene



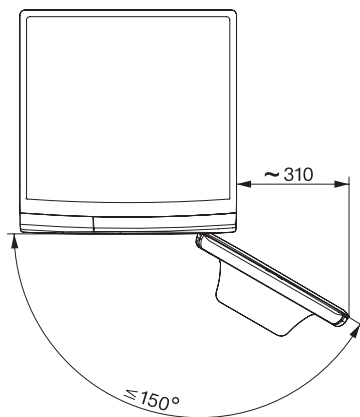
W1 drawing, facia 5 degree, measures in mm



W1 drawing, facia 5 degree, measures in mm



W1 drawing, facia 5 degree, measures in mm



W1 drawing, facia 5 degree, measures in mm