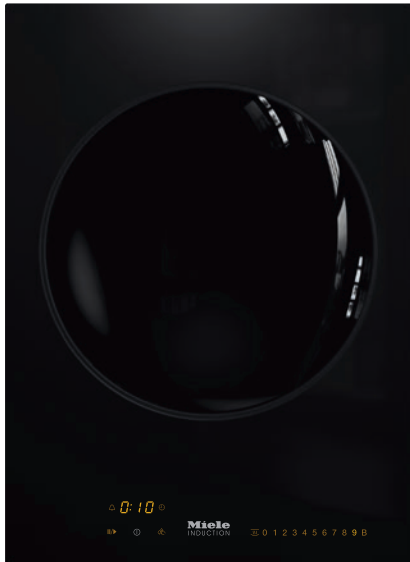


CS 7641 FL  
SmartLine element  
with induction wok

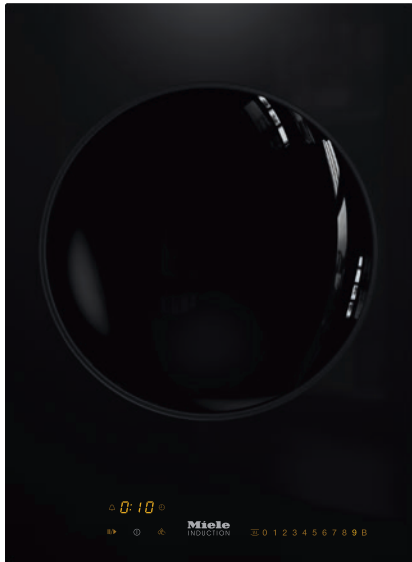


- Intuitive quick selection via number sequences – Smart Select
- Elegant design – for flush or raised installation
- Seamlessly integrates with any SmartLine element
- Eye-catcher – with integrated wok
- Powerful – booster function

EAN: 4002516276210 / Material number: 11323040 / Old Material Number: 27764150GB

<b>Heating type</b>	
Heating type	Induction
<b>Construction type</b>	
SmartLine	•
<b>Design</b>	
Elegant glass ceramic surface	•
Flush	•
Ceramic surface colour	Black
Surface-mounted installation	•
Appliance networking	•
<b>Cooking zone details</b>	
Number of cooking zones	1
<b>1st cooking zone/cooking area</b>	
Position	Centred
Type	Wok burner
Size in mm	Ø 300
Max. Booster power rating in W	3000
Max. rating in W	2500
<b>6th cooking zone/cooking area</b>	
Wok recess	Wok recess
<b>User convenience</b>	
Operation via sensor controls	Smart Select
Pan and pan size recognition	•
Display colour	Yellow
Auto heat-up	•
Permanent pan recognition	•
Keeping warm	•
Stop & Go function	•
Recall function	•
Individual setting options (e.g. buzzers)	•
Wipe protection	•
Minute minder	•
<b>Cleaning and care</b>	
Easy to clean ceramic glass	•
<b>Safety</b>	
Safety switch-off	•
Lock function	•
System lock	•
Integrated cooling fan	•
Overheating protection	•
Residual heat indicator	•
<b>Technical data</b>	
Dimensions (H x W x D) in mm	134 x 378 x 520
Dimensions in mm (width)	378
Dimensions in mm (height)	134
Dimensions in mm (depth)	520
Cut-out dimensions (W x D) with flush-fit installation in mm	358/382 x 500/524
Cutout dimensions in mm (width) with surface-mounted installation	358

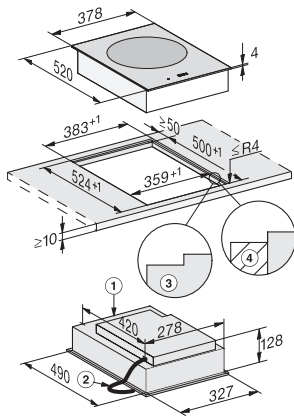
CS 7641 FL  
SmartLine element  
with induction wok



EAN: 4002516276210 / Material number: 11323040 / Old Material Number: 27764150GB

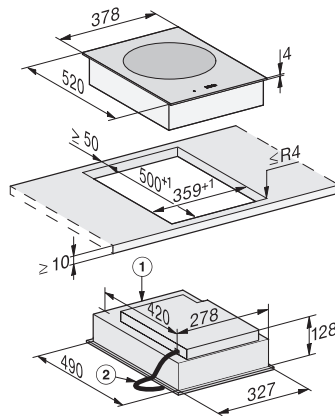
Cutout dimensions in mm (depth) with surface-mounted installation	500
Casing height incl. connection box in mm	129
Internal cutout dimensions in mm (width) with flush installation	358
Internal cutout dimensions in mm (depth) with flush installation	500
Weight in kg	12
External cutout dimensions in mm (width) with flush installation	382
External cutout dimensions in mm (depth) with flush installation	524
Total rated load in kW	3.00
Length of supply lead in m	1.5
Voltage in V	220-240
Frequency in Hz	50-60
<b>Accessories included</b>	
Mains cable	Yes
Coated wok pan	•

## CS 7641 FL SmartLine element with induction wok



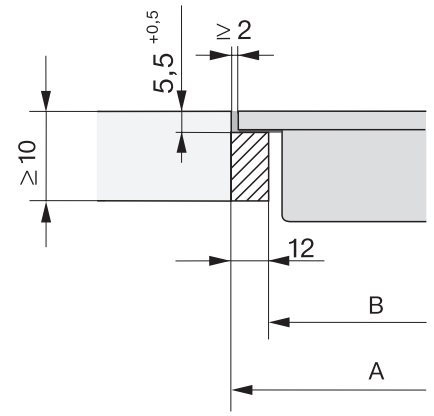
CS7641FL, flush (Installation drawing)

1) Front, 2) Mains connection cable, L = 2000 mm, 3) Stepped cut-out, 4) Wooden frame 12 mm (supplied loose)



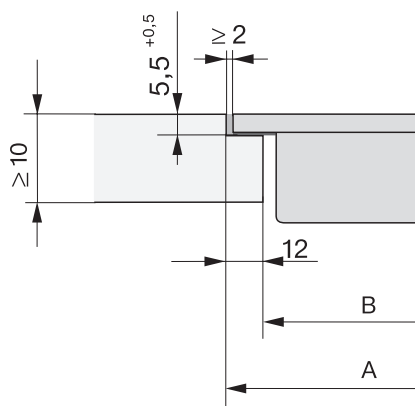
CS7641FL, onset (Installation drawing)

1) Front, 2) Mains connection cable, L = 2000 mm



CS 7000 FL, flush (Installation drawing)

\*7+0,5 = CS7641 (Wok)



CS 7000 FL, flush (Installation drawing)

\*7+0,5 = CS7641 (Wok)