

## DFKS-A

Flat ducting set for extraction mode (incl. wall vent)

For customised air guidance in extraction mode.

EAN: 4002516219507 / Material number: 11250360 / Old Material Number: 28996405D

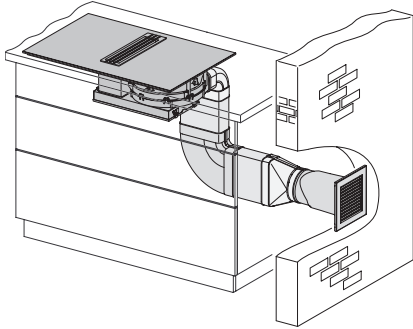


- Incl. wall vent (DMK 150-1) + 1 x adapter (DFK-A)
- 2 x bend (DFK-BV 90) + 1 x bend (DFK-BH 90) + 1 x 1 m (DFK-R1000)
- 1 x sealing tape (DFK-DB)
- National building regulations must be complied with
- Makes planning easier, set is attractively priced

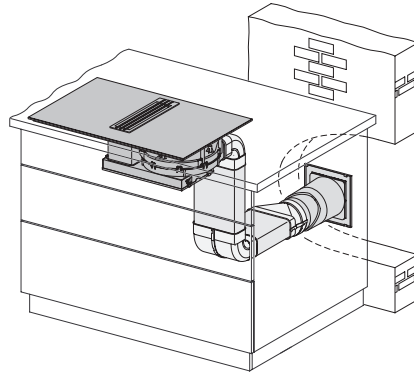
## DFKS-A

Flat ducting set for extraction mode (incl. wall vent)

For customised air guidance in extraction mode.



KMDA 7774, Built-in version (Installation drawing)



KMDA 7774, built-in version 5 (Installation drawing)