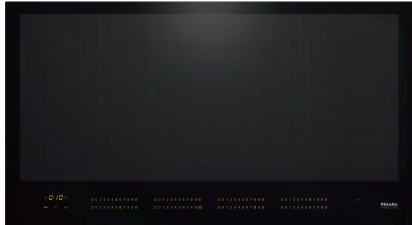


KM 7697 FL

Induction hob with onset controls

with a width of 936 mm and full-surface induction for maximum flexibility



- Intuitive quick selection via number sequences – Smart Select
- Intelligent pan recognition – for up to 6 pans
- Frameless for flush-fit or surface-mounted installation
- Broad performance spectrum – keeping warm function and TwinBooster
- Communication with the cooker hood – automatic Con@ctivity function

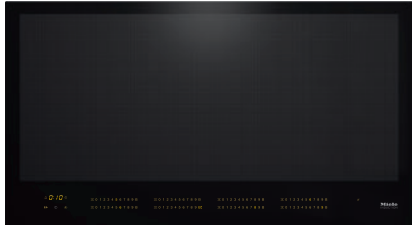
EAN: 4002516148708 / Material number: 11144090 / Old Material Number: 26769770GB

Heating type	
Heating type	Induction
Construction type	
Independent of cooker	•
Design	
Elegant glass ceramic surface	•
Flush	•
Ceramic surface colour	Black
Surface-mounted installation	•
Can be combined with SmartLine	•
Cooking zone details	
Number of cooking areas	1
Maximum number of pans	6
1st cooking zone/cooking area	
Position	Can be selected freely
Type	Full area
Size in mm	870x380
Max. Booster power rating in W	3300
Max. rating in W	2600
Max. TwinBooster power rating in W	3650
User convenience	
Miele@home	•
Operation via sensor controls	Smart Select
Automatic function Con@ctivity 3.0	•
Pan and pan size recognition	•
Display colour	Yellow
Auto heat-up	•
Keeping warm	•
Stop & Go function	•
Recall function	•
Safety switch-off	•
Individual setting options (e.g. buzzers)	•
Intelligent pan recognition	•
Positioning aid	•
Wipe protection	•
Minute minder	•
Efficiency and sustainability	
Power rating in off mode in W	0.5
Power rating in standby mode in W	1.0
Power rating in networked standby in W	2.0
Time until automatic switch to off mode in min	20
Time until automatic switch to standby in min	20
Time until automatic switch to networked standby in min	20
Cleaning and care	
Easy to clean ceramic glass	•
Safety	
Safety switch-off	•
Lock function	•
System lock	•
Integrated cooling fan	•

KM 7697 FL

Induction hob with onset controls

with a width of 936 mm and full-surface induction for maximum flexibility



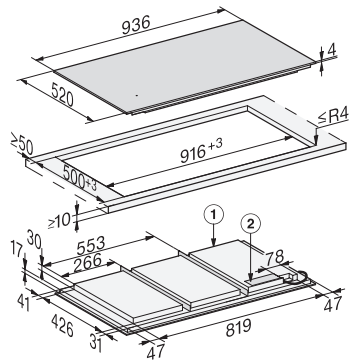
EAN: 4002516148708 / Material number: 11144090 / Old Material Number: 26769770GB

Overheating protection	•
Residual heat indicator	•
Technical data	
Dimensions (H x W x D) in mm	51 x 936 x 520
Dimensions in mm (width)	936
Dimensions in mm (height)	51
Dimensions in mm (depth)	520
Cutout dimensions in mm (width) with surface-mounted installation	916
Cutout dimensions in mm (depth) with surface-mounted installation	500
Casing height incl. connection box in mm	51
Internal cutout dimensions in mm (width) with flush installation	916
Internal cutout dimensions in mm (depth) with flush installation	500
Weight in kg	21
External cutout dimensions in mm (width) with flush installation	940
External cutout dimensions in mm (depth) with flush installation	524
Total rated load in kW	11.00
Length of supply lead in m	1.4
Voltage in V	230
Frequency in Hz	50-60
Accessories included	
Mains cable	Yes

KM 7697 FL

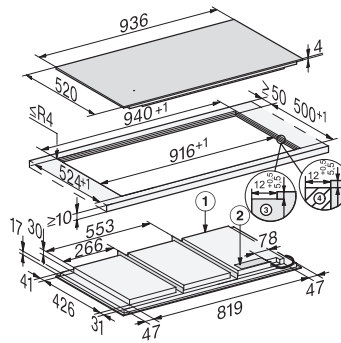
Induction hob with onset controls

with a width of 936 mm and full-surface induction for maximum flexibility



KM7697FL, KM7897FL, KM7897-1FLDiamond, KM7897-2FL Diamond (installation drawings) – onset

1) Front, 2) Mains connection box with mains connection cable, L = 1440 mm, are enclosed loosely,



KM7697FL, KM7897FL, KM7897-1FLDiamond, KM7897-2FL Diamond (installation drawings) – flush-fit

1) Front, 2) Mains connection box with mains connection cable, L = 1440 mm, are enclosed loosely, 3) Stepped cut-out natural stone worktop, 4) Wood support 12 mm (not supplied)