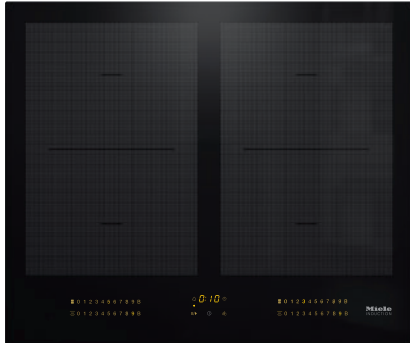


KM 7564 FL

Induction hob with onset controls

with 2 PowerFlex cooking areas for maximum power output



- Intuitive quick selection via number sequences – Smart Select
- 4 cooking zones incl. 2 high-power PowerFlex cooking areas
- A width of 620 mm for surface-mounted or flush-fit installation
- Seamlessly integrates with any SmartLine element
- Communication with the cooker hood – automatic Con@ctivity function

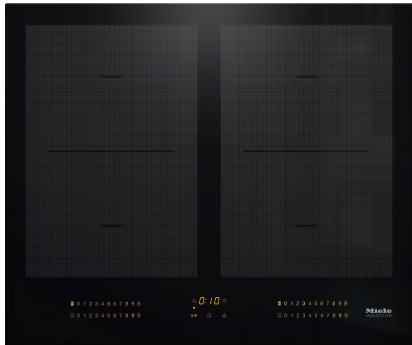
EAN: 4002516149279 / Material number: 11144050 / Old Material Number: 26756470GB

Heating type	
Heating type	Induction
Construction type	
Independent of cooker	•
Design	
Elegant glass ceramic surface	•
Flush	•
Ceramic surface colour	Black
Surface-mounted installation	•
Can be combined with SmartLine	•
Can be combined with SmartLine downdraft extractor	•
Cooking zone details	
Number of cooking zones	4
Number of cooking areas	2
Maximum number of pans	4
PowerFlex cooking zones	
No.	4
Type	PowerFlex cooking zone
Diameter in mm	Ø 150 – 230
Rating in W	2100
Booster in W	3000
TwinBooster in W	3650
1st cooking zone/cooking area	
Position	Left
Type	PowerFlex bridge
Size in mm	230x390
Max. Booster power rating in W	4800
Max. rating in W	3400
Max. TwinBooster power rating in W	7300
2nd cooking zone/cooking area	
Position	right
Type	PowerFlex bridge
Size in mm	230x390
Max. Booster power rating in W	4800
Max. rating in W	3400
Max. TwinBooster power rating in W	7300
User convenience	
Miele@home	•
Operation via sensor controls	Smart Select
Automatic function Con@ctivity 3.0	•
Pan and pan size recognition	•
Display colour	Yellow
Auto heat-up	•
Keeping warm	•
Stop & Go function	•
Recall function	•
Safety switch-off	•
Permanent pan recognition	•
Individual setting options (e.g. buzzers)	•
Wipe protection	•

KM 7564 FL

Induction hob with onset controls

with 2 PowerFlex cooking areas for maximum power output



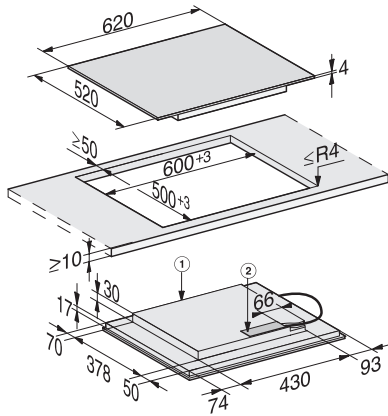
EAN: 4002516149279 / Material number: 11144050 / Old Material Number: 26756470GB

Minute minder	•
Efficiency and sustainability	
Power rating in off mode in W	0.5
Power rating in standby mode in W	1.0
Power rating in networked standby in W	2.0
Time until automatic switch to off mode in min	20
Time until automatic switch to standby in min	20
Time until automatic switch to networked standby in min	20
Cleaning and care	
Easy to clean ceramic glass	•
Safety	
Safety switch-off	•
Lock function	•
System lock	•
Integrated cooling fan	•
Overheating protection	•
Residual heat indicator	•
Technical data	
Dimensions (H x W x D) in mm	51 x 620 x 520
Dimensions in mm (width)	620
Dimensions in mm (height)	51
Dimensions in mm (depth)	520
Cut-out dimensions (W x D) with flush-fit installation in mm	600/624 x 500/524
Cutout dimensions in mm (width) with surface-mounted installation	600
Cutout dimensions in mm (depth) with surface-mounted installation	500
Casing height incl. connection box in mm	51
Internal cutout dimensions in mm (width) with flush installation	600
Internal cutout dimensions in mm (depth) with flush installation	500
Weight in kg	11
External cutout dimensions in mm (width) with flush installation	624
External cutout dimensions in mm (depth) with flush installation	524
Total rated load in kW	7.30
Length of supply lead in m	1.4
Voltage in V	230
Frequency in Hz	50-60
Accessories included	
Mains cable	Yes

KM 7564 FL

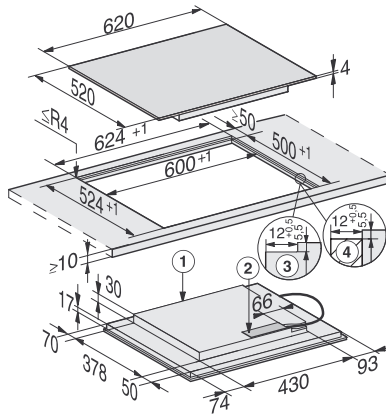
Induction hob with onset controls

with 2 PowerFlex cooking areas for maximum power output



KM 6329, KM 7564 (installation drawing)

1) Front, 2) Mains connection box with mains connection cable, L = 1440 mm



KM 6329, KM 7564 flush (installation drawing)

1) Front, 2) Mains connection box with mains connection cable, L = 1440 mm, 3) Stepped cut-out stone worktops, 4) Wooden frame 12 mm (supplied loose)