

## M 2240 SC

Built-in microwave oven

with sensor controls on the side for convenient operation.



- 7-segment display with sensor controls – EasySensor
- Perfect defrosting and cooking – Automatic programmes
- Food remains at serving temperature – keeping warm function
- Compact – 26 l oven compartment volume

EAN: 4002516103332 / Material number: 11093910 / Old Material Number: 24224020GB

<b>Construction type</b>	
Appliance Colour	Obsidian black
<b>Construction type and design</b>	
Built-in microwave oven	•
SideControl	•
<b>Convenience features</b>	
Keeping warm	•
<b>Operating modes</b>	
Automatic programmes	•
Microwave solo operation	•
<b>User convenience</b>	
Display	EasySensor
Time of day display	•
Minute minder	•
Programmable cooking duration	•
Quick microwave	•
Individual settings	•
<b>Efficiency and sustainability</b>	
Night dimming	•
<b>Cleaning and care</b>	
Stainless steel oven compartment	•
<b>Safety</b>	
System lock	•
Safety switch-off	•
Safety lock "Door" warning	•
<b>Technical data</b>	
Oven compartment volume in l	26
Door hinge	Left
Oven light	1 LED spot
Oven interior height in cm	20.7
Turntable diameter in cm	32.5
Electronically controlled microwave power	•
Microwave power levels in W	
Maximum microwave power in W	900
Niche width min. in mm	562
Niche width max. in mm	568
Niche height min. in mm	450
Niche height max. in mm	452
Niche depth in mm	500
Appliance dimensions (W x H x D) in mm	595 x 452 x 401
Appliance width in mm	595
Appliance height in mm	452
Appliance depth in mm	401
Niche-independent venting	•
Weight in kg	18.0
Total rated load in kW	1.4
Voltage in V	220-240
Frequency in Hz	50
Fuse rating in A	13
Number of phases	1

## M 2240 SC

Built-in microwave oven

with sensor controls on the side for convenient operation.



EAN: 4002516103332 / Material number: 11093910 / Old Material Number: 24224020GB

Mains cable with plug

•

Length of supply lead in m

1.60

Replacing lamps

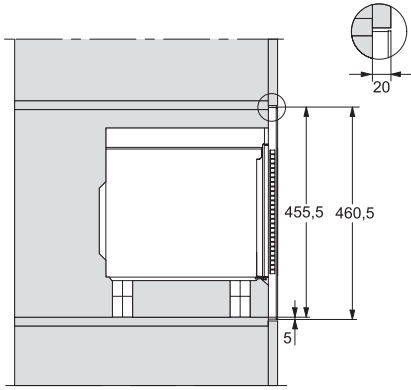
Service

**Accessories included**

## M 2240 SC

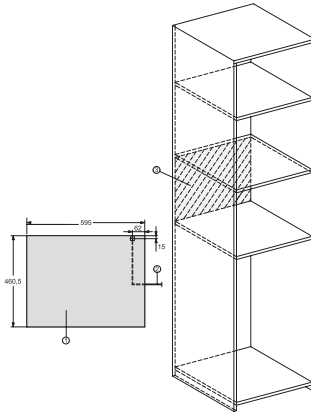
Built-in microwave oven

with sensor controls on the side for convenient operation.



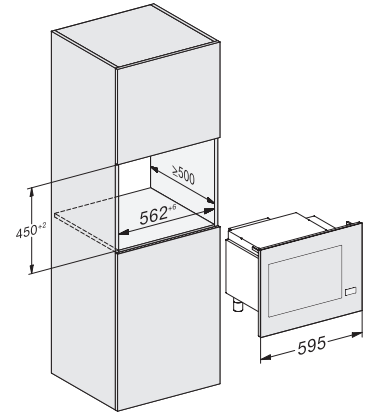
M2240SC, installation drawing

Cannot be combined horizontally with other units



M2240SC, installation drawings

1) Front view, 2) Mains connection cable L=1,600 mm, 3) No connection in this area



M2240SC, installation drawings