

## H 7840 BM

Compact microwave combination oven  
with a seamless design, automatic programmes and food probe



- Large touch display with movement sensor – M Touch + MotionReact
- Easy cleaning – compartment with PerfectClean & linen structure
- Faster and more consistent results – Quick & Gentle
- Network-enabled WiFi appliance – Miele@home
- Get what you want in one easy step – Quick MW and Popcorn button

EAN: 4002516159421 / Material number: 11093700 / Old Material Number: 22784036GB

|   |               |
|---|---------------|
| <b>Construction type</b>  |               |
| Appliance Colour  | Graphite grey |
| <b>Construction type and design</b>                                   |               |
| Built-in microwave combination oven                                   | •             |
| VitroLine   | •             |
| <b>Convenience features</b>   |               |
| Quick & Gentle  | •             |
| Rapid heat-up   | •             |
| Pre-heating   | •             |
| Food probe  | With cable    |
| Keeping warm  | •             |
| Crisp function  | •             |
| <b>Operating modes</b>  |               |
| Defrosting  | •             |
| Automatic programmes  | •             |
| Country-specific automatic programmes                                 | •             |
| Auto roast  | •             |
| Eco fan heat  | •             |
| Grill   | •             |
| Fan plus  | •             |
| Intensive bake  | •             |
| Low temperature cooking   | •             |
| Microwave   | •             |
| Microwave with Auto roast   | •             |
| Microwave + Grill   | •             |
| Microwave + Fan plus  | •             |
| Microwave + Fan grill   | •             |
| Conventional heat   | •             |
| Bottom heat   | •             |
| Fan grill   | •             |
| Special applications  | •             |
| <b>User convenience</b>   |               |
| Networking with Miele@home  | •             |
| Display   | M Touch       |
| MotionReact proximity sensor  | •             |
| MotionReact: light comes on when movement is detected                 | •             |
| MotionReact: display comes on when movement is detected               | •             |
| MotionReact: audible signal is acknowledged when movement is detected | •             |
| MotionReact: detection of cabinet fronts                              | •             |
| SoftOpen  | •             |
| SoftClose   | •             |
| MultiLingua   | •             |
| MyMiele   | •             |
| Help function   | •             |
| Popcorn function  | •             |
| Polyphonic buzzers  | •             |
| Time of day display   | •             |
| Clock synchronisation   | •             |

## H 7840 BM

Compact microwave combination oven  
with a seamless design, automatic programmes and food probe



EAN: 4002516159421 / Material number: 11093700 / Old Material Number: 22784036GB

|  |            |
|--|------------|
| Date display   | •          |
| Minute minder  | •          |
| Programmable start of cooking duration                                 | •          |
| Programmable end of cooking duration                                   | •          |
| Programmable cooking duration  | •          |
| Actual temperature display   | •          |
| Target temperature display   | •          |
| Buzzer when desired temperature is reached                             | •          |
| Recommended temperature  | •          |
| Recommended microwave power  | •          |
| Quick microwave  | •          |
| User programmes  | •          |
| Sabbath programme  | •          |
| Individual settings  | •          |
| <b>Efficiency and sustainability</b>                                   |            |
| Automatic residual heat utilisation                                    | •          |
| Power rating in off mode in W  | 0.5        |
| Power rating in standby mode in W                                      | 1.0        |
| Power rating in networked standby in W                                 | 2.0        |
| Time until automatic switch to standby in min                          | 20         |
| Time until automatic switch to networked standby in min                | 20         |
| Time until automatic switch to off mode in min                         | 20         |
| <b>Cleaning and care</b>   |            |
| Stainless-steel oven compartment with linen structure and PerfectClean | •          |
| Hinged grill element   | •          |
| CleanGlass door  | •          |
| <b>Safety</b>  |            |
| Appliance cooling system and touch-cool front                          | •          |
| Safety switch-off  | •          |
| System lock  | •          |
| Sensor lock  | •          |
| <b>Technical data</b>  |            |
| Oven compartment volume in l   | 43         |
| No. of shelf levels  | 3          |
| Number of shelf levels oven compartment 1                              | 3          |
| Number of shelf levels oven compartment 2                              | 3          |
| Oven light   | 1 LED spot |
| Temperatures in °C   | 30–250     |
| Electronic temperature regulation min. in °C                           | 30         |
| Electronic temperature regulation max. in °C                           | 250        |
| Electronically controlled microwave power                              | •          |
| Microwave power levels in W  |            |
| Niche width min. in mm   | 560        |
| Niche width max. in mm   | 568        |
| Niche height min. in mm  | 450        |
| Niche height max. in mm  | 452        |
| Niche depth in mm  | 550        |
| Appliance width in mm  | 595        |
| Appliance height in mm   | 456        |
| Appliance depth in mm  | 568        |

## H 7840 BM

Compact microwave combination oven  
with a seamless design, automatic programmes and food probe



EAN: 4002516159421 / Material number: 11093700 / Old Material Number: 22784036GB

|                            |         |
|----------------------------|---------|
| Weight in kg               | 38.0    |
| Total rated load in kW     | 3.20    |
| Voltage in V               | 220-240 |
| Frequency in Hz            | 50      |
| Fuse rating in A           | 16      |
| Number of phases           | 1       |
| Length of supply lead in m | 2.00    |
| Replacing lamps            | Service |

### Accessories included

|  |   |
|--|---|
| Baking and roasting rack with PerfectClean | 1 |
| Wired food probe                           | 1 |
| Glass tray                                 | 2 |

### Available display languages

Available display languages via MultiLingua

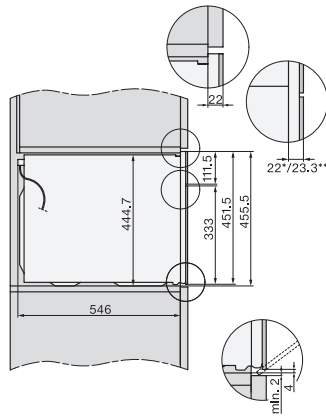
bahasa malaysia, dansk,  
deutsch, english, español,  
français, hrvatski, italiano,  
magyar, nederlands,  
norsk, polski, português,  
русский, română,  
slovenčina, slovenščina,  
srpski, suomi, svenska,  
türkçe, українська, čeština,  
ελληνικά,

## H 7840 BM

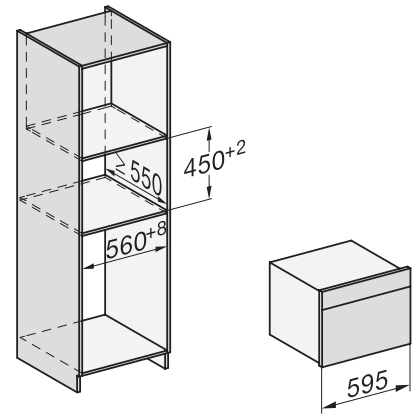
Compact microwave combination oven  
with a seamless design, automatic programmes and food probe



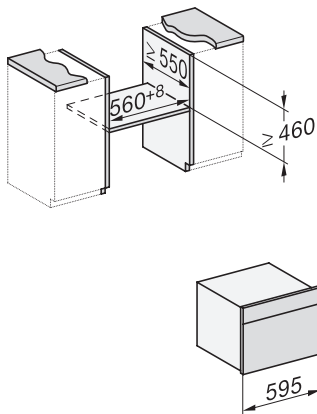
side view H7000 BM, installation drawings  
22 mm – glass, 23,3 mm – metal



side view H7000 BM, installation drawings, GB, AUS  
22 mm – glass, 23,3 mm – metal

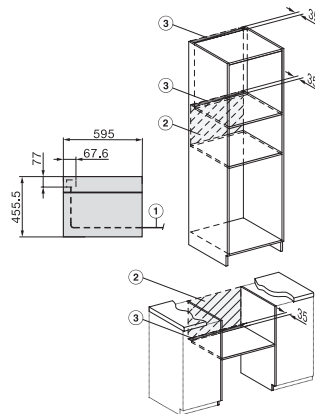


built-in H7000 BM, installation drawing



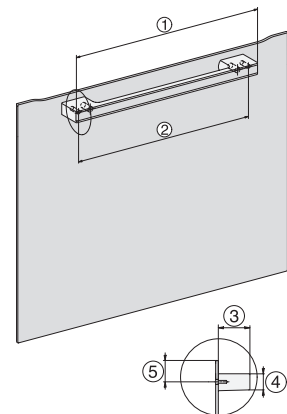
built-in H7000 BM build-under, installation drawings

If the oven is to be installed under a hob, follow the instructions for installing the hob and the height of the hob.



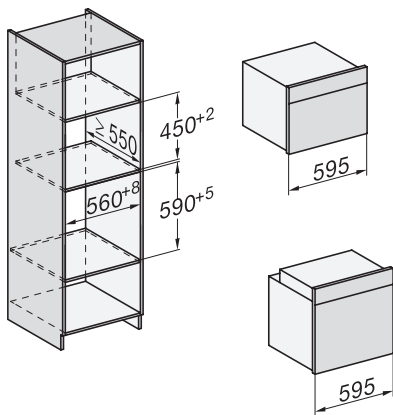
H7x40BM/BMX, installation drawings, GB, AUS

1) Mains connection cable, L=2000 mm, 2) No connection in this area, 3) Lüftungsausschnitt min. 150 cm<sup>2</sup>

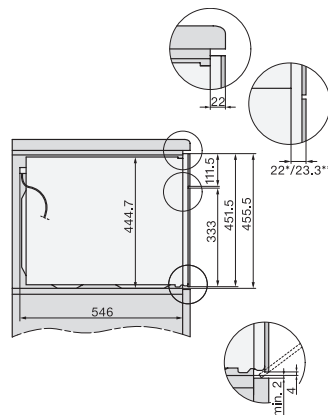


H7000 handle, glass, installation drawings

1) 400 mm, 2) 360 mm, 3) 47 mm, 4) 27 mm, 5) 32.5 mm

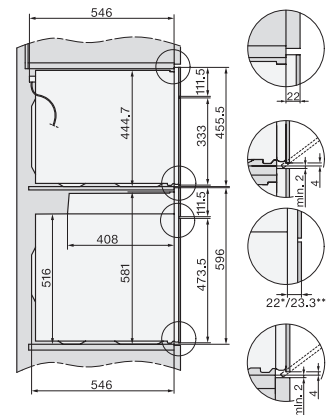


H226x-1B/BP/E/IP//IP, H2760B/BP, H28x0B/BP,  
H7x40BM/BMX, H7x6xB/BP/BPX, installation drawings



side view H7000 BM build-under, installation drawing,  
GB, AU

22 mm – glass, 23,3 mm – metal

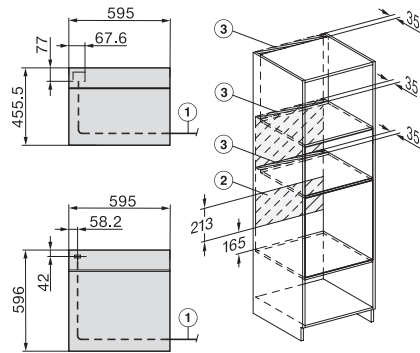


H2xxx-1 B/BP/E/IP, H7xxx B/BP/BM/BMX, installation drawings

22 mm – glass, 23,3 mm – metal

## H 7840 BM

Compact microwave combination oven  
with a seamless design, automatic programmes and food probe



H2xxx-1 B/BP/E/I/IP, H7xxx B/BP/BM/BMX, installation drawings

22 mm – glass, 23,3 mm – metal