

## H 7440 BM

Compact microwave combination oven

with a seamless design, automatic programmes and combination modes.



- Large clear text display with sensor controls – DirectSensor
- Easy cleaning – compartment with PerfectClean & linen structure
- Faster and more consistent results – Quick & Gentle
- Network-enabled WiFi appliance – Miele@home
- Get what you want in one easy step – Quick MW and Popcorn button

EAN: 4002516158936 / Material number: 11093540 / Old Material Number: 22744036GB

| <b>Construction type</b>                   |               |
|--|---------------|
| Appliance Colour                           | Graphite grey |
| <b>Construction type and design</b>        |               |
| Built-in microwave combination oven        | •             |
| VitroLine                                  | •             |
| <b>Convenience features</b>                |               |
| Quick & Gentle                             | •             |
| Rapid heat-up                              | •             |
| Pre-heating                                | •             |
| Keeping warm                               | •             |
| <b>Operating modes</b>                     |               |
| Defrosting                                 | •             |
| Automatic programmes                       | •             |
| Country-specific automatic programmes      | •             |
| Auto roast                                 | •             |
| Eco fan heat                               | •             |
| Grill                                      | •             |
| Fan plus                                   | •             |
| Microwave                                  | •             |
| Microwave with Auto roast                  | •             |
| Microwave + Grill                          | •             |
| Microwave + Fan plus                       | •             |
| Microwave + Fan grill                      | •             |
| Fan grill                                  | •             |
| Special applications                       | •             |
| <b>User convenience</b>                    |               |
| Networking with Miele@home                 | •             |
| Display                                    | DirectSensor  |
| SoftOpen                                   | •             |
| SoftClose                                  | •             |
| MultiLingua                                | •             |
| Popcorn function                           | •             |
| Time of day display                        | •             |
| Clock synchronisation                      | •             |
| Date display                               | •             |
| Minute minder                              | •             |
| Programmable start of cooking duration     | •             |
| Programmable end of cooking duration       | •             |
| Programmable cooking duration              | •             |
| Actual temperature display                 | •             |
| Target temperature display                 | •             |
| Buzzer when desired temperature is reached | •             |
| Recommended temperature                    | •             |
| Recommended microwave power                | •             |
| Quick microwave                            | •             |
| User programmes                            | •             |
| Individual settings                        | •             |
| <b>Efficiency and sustainability</b>       |               |
| Automatic residual heat utilisation        | •             |
| Power rating in off mode in W              | 0.5           |

## H 7440 BM

Compact microwave combination oven

with a seamless design, automatic programmes and combination modes.



EAN: 4002516158936 / Material number: 11093540 / Old Material Number: 22744036GB

|  |            |
|--|------------|
| Power rating in standby mode in W                                      | 1.0        |
| Power rating in networked standby in W                                 | 2.0        |
| Time until automatic switch to standby in min                          | 20         |
| Time until automatic switch to networked standby in min                | 20         |
| Time until automatic switch to off mode in min                         | 20         |
| <b>Cleaning and care</b>   |            |
| Stainless-steel oven compartment with linen structure and PerfectClean | •          |
| Hinged grill element   | •          |
| CleanGlass door  | •          |
| <b>Safety</b>  |            |
| Appliance cooling system and touch-cool front                          | •          |
| Safety switch-off  | •          |
| System lock  | •          |
| Sensor lock  | •          |
| <b>Technical data</b>  |            |
| Oven compartment volume in l   | 43         |
| No. of shelf levels  | 3          |
| Number of shelf levels oven compartment 1                              | 3          |
| Number of shelf levels oven compartment 2                              | 3          |
| Oven light   | 1 LED spot |
| Temperatures in °C   | 30–250     |
| Electronic temperature regulation min. in °C                           | 30         |
| Electronic temperature regulation max. in °C                           | 250        |
| Electronically controlled microwave power                              | •          |
| Microwave power levels in W  |            |
| Niche width min. in mm   | 560        |
| Niche width max. in mm   | 568        |
| Niche height min. in mm  | 450        |
| Niche height max. in mm  | 452        |
| Niche depth in mm  | 550        |
| Appliance width in mm  | 595        |
| Appliance height in mm   | 456        |
| Appliance depth in mm  | 568        |
| Weight in kg   | 36.0       |
| Total rated load in kW   | 2.70       |
| Voltage in V   | 220-240    |
| Frequency in Hz  | 50         |
| Fuse rating in A   | 16         |
| Number of phases   | 1          |
| Length of supply lead in m   | 2.00       |
| Replacing lamps  | Service    |
| <b>Accessories included</b>  |            |
| Baking and roasting rack with PerfectClean                             | 1          |
| Glass tray   | 1          |

## H 7440 BM

Compact microwave combination oven  
with a seamless design, automatic programmes and combination modes.



EAN: 4002516158936 / Material number: 11093540 / Old Material Number: 22744036GB

### Available display languages

Available display languages via MultiLingua

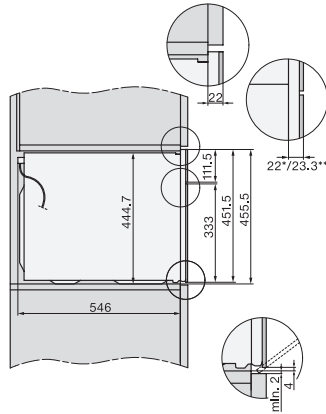
bahasa malaysia, dansk,  
deutsch, english, español,  
français, hrvatski, italiano,  
magyar, nederlands,  
norsk, polski, portugês,  
русский, română,  
slovenčina, slovenščina,  
srpski, suomi, svenska,  
türkçe, українська, čeština,  
ελληνικά, , , , ,

## H 7440 BM

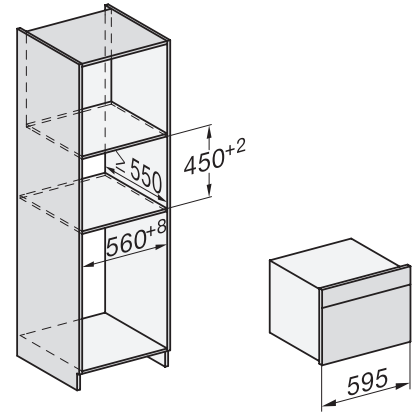
Compact microwave combination oven  
with a seamless design, automatic programmes and combination modes.



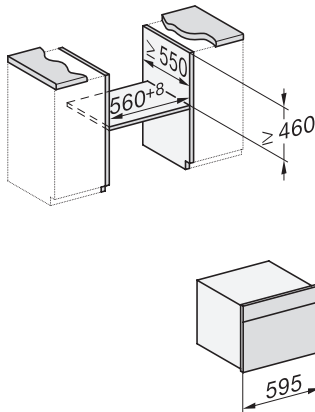
side view H7000 BM, installation drawings  
22 mm – glass, 23,3 mm – metal



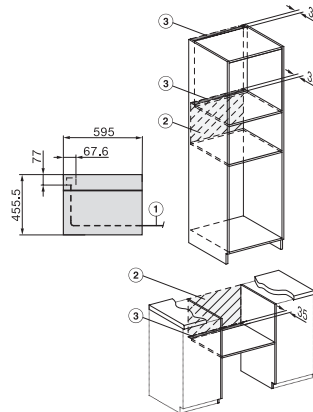
side view H7000 BM, installation drawings, GB, AUS  
22 mm – glass, 23,3 mm – metal



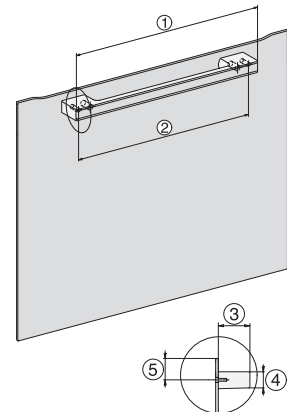
built-in H7000 BM, installation drawing



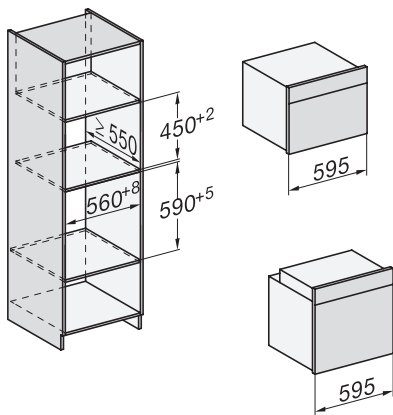
built-in H7000 BM build-under, installation drawings  
If the oven is to be installed under a hob, follow the instructions for installing the hob and the height of the hob.



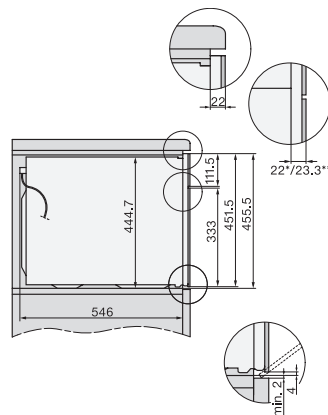
H7x40BM/BMX, installation drawings, GB, AUS  
1) Mains connection cable, L=2000 mm, 2) No connection in this area, 3) Lüftungsausschnitt min. 150 cm<sup>2</sup>



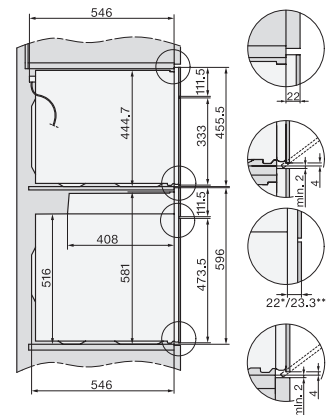
H7000 handle, glass, installation drawings  
1) 400 mm, 2) 360 mm, 3) 47 mm, 4) 27 mm, 5) 32.5 mm



H226x-1B/BP/E/IP//IP, H2760B/BP, H28x0B/BP, H7x40BM/BMX, H7x6xB/BP/BPX, installation drawings



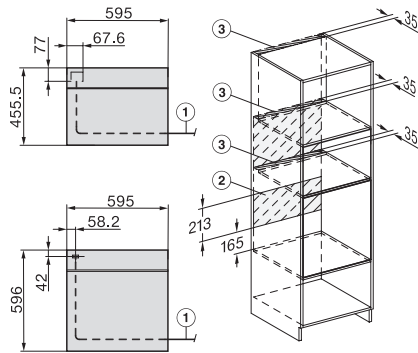
side view H7000 BM build-under, installation drawing, GB, AU  
22 mm – glass, 23,3 mm – metal



H2xxx-1 B/BP/E//IP, H7xxx B/BP/BM/BMX, installation drawings  
22 mm – glass, 23,3 mm – metal

## H 7440 BM

Compact microwave combination oven  
with a seamless design, automatic programmes and combination modes.



H2xxx-1 B/BP/E/I/IP, H7xxx B/BP/BM/BMX, installation  
drawings

22 mm – glass, 23,3 mm – metal