

DA 1867

Slot-in cooker hood

with energy-efficient LED lighting and light-touch switches for easy use.



- Invisible – can be concealed with kitchen décor
- Powerful – 690 m³/h in Booster level
- Energy-efficient and uniform illumination – 2 LED spotlights
- Safe and easy to clean – Miele CleanCover
- For perfect functionality – accessories for proper venting



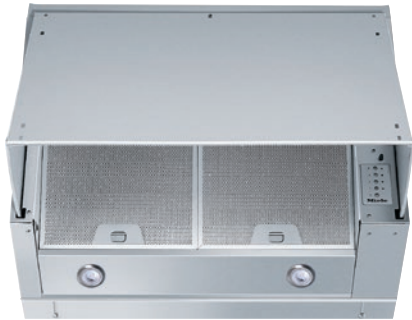
EAN: 4002516002802 / Material number: 10888770 /
Old Material Number: 28186750GB

Construction type and design	
Appliance colour	Stainless steel (PF)
Construction type	
Slot-in cooker hood	•
Operating modes	
Type of air guide	Can be retrofitted
User convenience	
Electronic controls	•
Power levels (number without Booster level)	3
Booster levels	1
Programmable Booster level switch-off	•
Efficiency and sustainability	
Annual energy consumption in kWh/year	101.3
Energy efficiency class (A+++ – D)	C
Grease filtering efficiency class	B
Fluid dynamic efficiency class	C
Lighting efficiency class	A
Filter system	
Number of dishwasher-safe stainless steel grease filters (10-ply)	2
Number of dishwasher-safe metal grease filters	2
Lighting	
LED	•
Number x W	2 x 1,1 W
Light intensity in lx	210 lx
Fan	
Dual-action fan	•
AC motor	•
Exhaust air	
Air throughput in Level 1 (m ³ /h) according to EN 61591	320
Air throughput in Level 2 (m ³ /h) according to EN 61591	480
Air throughput in Level 3 (m ³ /h) according to EN 61591	610
Air throughput in booster level 1 (m ³ /h)	690
Sound power in Level 1 (dB(A) re 1 pW) according to EN 60704-3	52.0
Sound power in Level 2 (dB(A) re 1 pW) according to EN 60704-3	62.0
Sound power in Level 3 (dB(A) re 1 pW) according to EN 60704-3	67.0
Sound power in Booster level 1 (dB(A) re 1 pW) acc. to EN 60704-3	69.0
Recirculation	
Air throughput in Level 1 (m ³ /h) according to EN 61591	225
Air throughput in Level 2 (m ³ /h) according to EN 61591	290
Air throughput in Level 3 (m ³ /h) according to EN 61591	315
Air throughput in Booster level 1 (m ³ /h) according to EN 61591	330
Sound power in Level 1 (dB(A) re 1 pW) according to EN 60704-3	68.0

DA 1867

Slot-in cooker hood

with energy-efficient LED lighting and light-touch switches for easy use.



EAN: 4002516002802 / Material number: 10888770 /
Old Material Number: 28186750GB

Noise power level in Intensive level (dB(A) re 1 pW) according to EN 60704-3	76.0
--	------

Sound power in Level 2 (dB(A) re 1 pW) according to EN 60704-3	73.0
--	------

Sound power in Level 3 (dB(A) re 1 pW) according to EN 60704-3	75.0
--	------

Technical data

Canopy width in mm	599
--------------------	-----

Canopy height in mm	450
---------------------	-----

Canopy depth in mm	275
--------------------	-----

Net weight in kg	11.8
------------------	------

Length of supply lead in m	1.2
----------------------------	-----

Standard plug fitted	•
----------------------	---

Minimum height above electric hobs in mm	650
--	-----

Minimum safety distance above gas hobs (max. 12.6 kW total power, burner ≤ 4.5 kW) in mm	650
--	-----

Number of phases	1
------------------	---

Total rated load in kW	0.25
------------------------	------

Voltage in V	230
--------------	-----

Fuse rating in A	5
------------------	---

Frequency in Hz	50
-----------------	----

Installation notes

Extraction ducting connection at top	•
--------------------------------------	---

Diameter of exhaust duct in mm	150
--------------------------------	-----

Fitting template	•
------------------	---

Accessories included

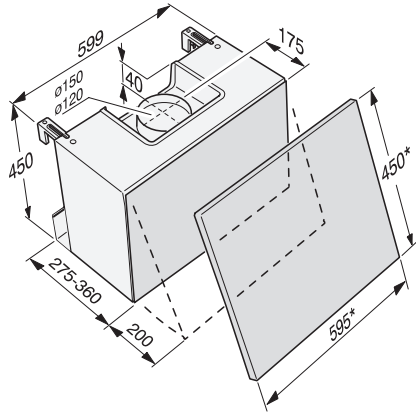
Adapter to reduce ducting diameter from 150 mm to 120 mm Ø	•
--	---

Non-return flap	•
-----------------	---

DA 1867

Slot-in cooker hood

with energy-efficient LED lighting and light-touch switches for easy use.



DA1867, DAZ1620 (Installation drawing)

* Measurements of furniture front