

KFN 29142 D edt/cs

Freestanding fridge-freezer

With a practical interior and NoFrost for added convenience.



- Optimum and maintenance-free LED lighting in compartment
- No icing up of food and no need to defrost thanks to Frost free



EAN: 4002515954232 / Material number: 10804920 / Old Material Number: 38291425GB

Appliance category	
Fridge-freezer	•
Construction type	
Freestanding appliance	•
Door hinge	right
Convertible door hinging	•
Design	
Casing colour	Stainless steel look
Front colour	Stainless steel/CleanSteel
Refrigeration section lighting	LED
User convenience	
ComfortClean	•
DynaCool	•
NoFrost	•
DuplexCool	•
Concealed door opener	Recessed grip
Control system	
Operating concept	PicTronic
Fridge compartment can be switched off	Yes
Independent temperature regulation of fridge and freezer zones	No
SuperFreeze	•
No. of temperature zones	2
Sabbath mode	•
Fridge/Fridge section	
No. of shelves	3
Number of inner door racks for tinned food	2
Door rack for bottles	1
Door shelves	3
Freezer/Freezer section	
Number of freezer drawers	4
Efficiency and sustainability	
Energy efficiency class (A-G)	E
Annual energy consumption in kWh	246.01
Energy consumption in 24 h in kWh	0.67
Safety	
Lock function	•
Acoustic door alarm	•
Acoustic temperature alarm	•
Technical data	
Appliance width in mm	600
Appliance height in mm	2011
Appliance depth in mm	657
Weight in kg	69.3
Climate class	SN-T
Refrigerator compartment in l	199
including PerfectFresh zone in l	0
4* freezer compartment in l	135
Total usable capacity in l	334
Storage time in case of fault in h	12

KFN 29142 D edt/cs

Freestanding fridge-freezer

With a practical interior and NoFrost for added convenience.



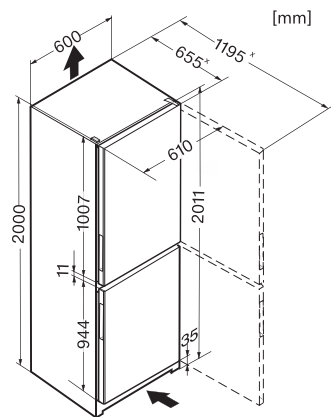
EAN: 4002515954232 / Material number: 10804920 / Old Material Number: 38291425GB

Freezer capacity in kg/24 h	9.50
Acoustic airborne noise emission class (A–D)	C
Sound emissions in dB(A) re 1 pW	40
Current consumption (mA)	1400
Voltage in V	220-240
Fuse rating in A	13
Number of phases	1
Frequency in Hz	50-60
Length of supply lead in m	2.0
Replacing lamps	Service
Accessories included	
Egg tray	•
Ice cube tray	•

KFN 29142 D edt/cs

Freestanding fridge-freezer

With a practical interior and NoFrost for added convenience.



KFN29142D, *footnote (installation drawings)

*To ensure that energy consumption as stated is achieved, machines should be used together with the enclosed spacer brackets. This increases the total depth of the unit by approx. 1.5 cm. , Machines are still fully functional when operated without these brackets but have a slightly higher energy consumption.