

KS 28423 D ed/cs

Freestanding refrigerator

With DailyFresh and FlexiLight for added freshness and optimum lighting.



- Large capacity drawer with adjustable moisture – DailyFresh
- Individually adjustable glass shelf lighting thanks to FlexiLight
- Highest level of economy with perfect freshness – A+++
- Door shelves can be cleaned in the dishwasher – ComfortClean



EAN: 4002515954317 / Material number: 10804770 / Old Material Number: 36284230EU1

Appliance category	
Refrigerator	•
Construction type	
Freestanding appliance	•
Door hinge	right
Convertible door hinging	•
Side-by-side enabled	•
Design	
Casing colour	Stainless steel CleanSteel
Front colour	Stainless steel/CleanSteel
Refrigeration section lighting	FlexiLight
User convenience	
Networking with Miele@home	•
Accessories required	XKS 3100 W
Freshness system	DailyFresh
ComfortClean	•
DynaCool	•
XL interior	•
SoftClose	•
SelfClose	•
Concealed door opener	Click2open
Silence system	•
Controls	
Operating concept	FreshTouch
Independent temperature regulation of fridge and freezer zones	No
Automatic SuperCool	•
No. of temperature zones	1
Sabbath mode	•
Party mode	•
Holiday mode	•
Fridge/Fridge section	
No. of shelves	4
of which illuminated	3
Chrome-plated metal bottle rack	•
No. of crisper drawers	2
CompactCase	•
Number of inner door racks for tinned food	3
Door rack for bottles	2
Efficiency and sustainability	
Energy efficiency class (A–G)	D
Annual energy consumption in kWh	97.82
Energy consumption in 24 h in kWh	0.26
Safety	
Lock function	•
Acoustic door alarm	•
Optical door alarm	•
Technical data	
Appliance width in mm	600
Appliance height in mm	1850

KS 28423 D ed/cs

Freestanding refrigerator

With DailyFresh and FlexiLight for added freshness and optimum lighting.



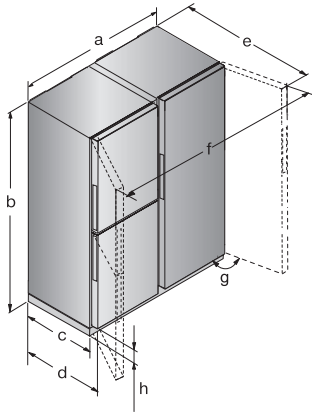
EAN: 4002515954317 / Material number: 10804770 / Old Material Number: 36284230EU1

Appliance depth in mm	675
Weight in kg	73.2
Climate class	SN-T
Refrigerator compartment in l	396
4* freezer compartment in l	0
Total usable capacity in l	395
Storage time in case of fault in h	0
Noise class (A-D)	C
Sound power in dB(A) re 1 pW	37
Current consumption (mA)	1200
Voltage in V	220-240
Fuse rating in A	10
Number of phases	1
Frequency in Hz	50
Length of supply lead in m	2.2
Replacing lamps	Customer Service
Accessories supplied	
Butter dish	•
Egg tray	•
Active AirClean filter	•

KS 28423 D ed/cs

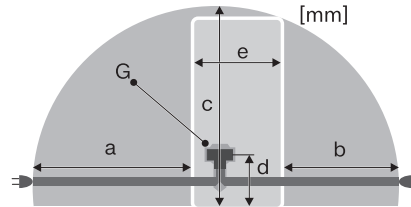
Freestanding refrigerator

With DailyFresh and FlexiLight for added freshness and optimum lighting.



FNS28463E ed/cs, KS28463D ed/cs, KS28423D ed/cs, KS28463E ed/cs, KFNS28463E ed/cs, KWNS28462E ed/cs, *footnote

* a = 1240 mm, b = 1852 mm, c = 615 mm, d = 675 mm, e = 1195 mm, f = 1733 mm, g = 115 mm, h = 35 mm, *To ensure that energy consumption as stated is achieved, machines should be used together with the enclosed spacer brackets. This increases the total depth of the unit by approx. 1.5 cm. . Machines are still fully functional when operated without these brackets but have a slightly higher energy consumption.



KS28423D ed/cs, KS28463D ed/cs, KFN29493DE edt/cs, FNS28463E ed/cs, KWNS28462E ed/cs, KFNS28463E ed/cs, *footnote

* a = 1800 mm, b = 1400 mm, c = 2100 mm, d = 200 mm, e = 600, G appliance inlet, *To ensure that energy consumption as stated is achieved, machines should be used together with the enclosed spacer brackets. This increases the total depth of the unit by approx. 1.5 cm. . Machines are still fully functional when operated without these brackets but have a slightly higher energy consumption.