

F 31202 Ui

Built-under freezer

Compactly designed with ComfortFrost for convenient freezing.



- Rapid freezing of food – SuperFrost
- Less frequent defrosting thanks to ComfortFrost



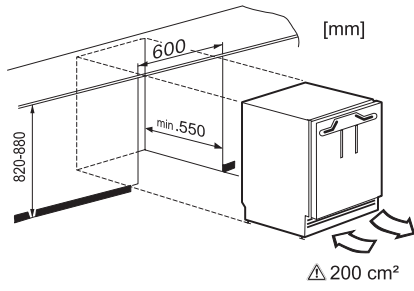
EAN: 4002515952603 / Material number: 10799940 / Old Material Number: 37312020GB

| Appliance category   |            |
|--|------------|
| Freezer  | •          |
| Construction type  |            |
| Integrated appliance   | •          |
| Undercounter appliance   | •          |
| Door hinge   | right      |
| Convertible door hinging                                       | •          |
| Control system   |            |
| Independent temperature regulation of fridge and freezer zones | No         |
| Efficiency and sustainability                                  |            |
| Energy efficiency class (A–G)                                  | E          |
| Annual energy consumption in kWh                               | 167.90     |
| Energy consumption in 24 h in kWh                              | 0.46       |
| Technical data   |            |
| Niche width in mm min.   | 600        |
| Niche width in mm max.   | 600        |
| Niche height in mm min.  | 820        |
| Niche height in mm max.  | 880        |
| Niche depth in mm  | 550        |
| Appliance width in mm  | 597        |
| Appliance height in mm   | 820        |
| Appliance depth in mm  | 550        |
| Weight in kg   | 36.7       |
| Door hinge technology  | Fixed door |
| Max. door front weight – freezer, in kg                        | 20         |
| Climate class  | SN-T       |
| 4* freezer compartment in l                                    | 95         |
| Total usable capacity in l                                     | 95         |
| Storage time in case of fault in h                             | 10         |
| Freezer capacity in kg/24 h                                    | 5.74       |
| Acoustic airborne noise emission class (A–D)                   | B          |
| Sound emissions in dB(A) re 1 pW                               | 35         |
| Current consumption (mA)                                       | 1300       |
| Voltage in V   | 220-240    |
| Fuse rating in A   | 13         |
| Number of phases   | 1          |
| Frequency in Hz  | 50         |
| Length of supply lead in m                                     | 1.9        |
| Replacing lamps  | Service    |

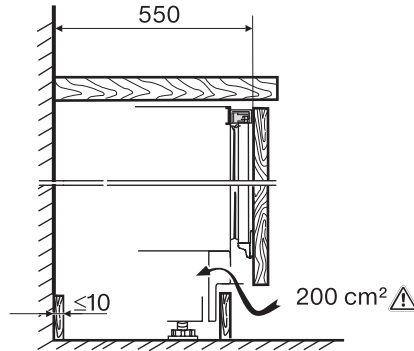
## F 31202 Ui

Built-under freezer

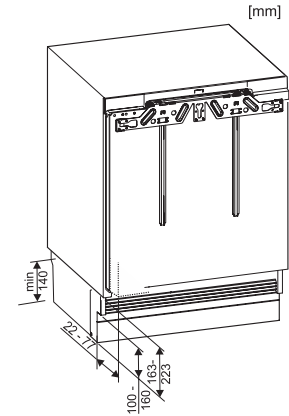
Compactly designed with ComfortFrost for convenient freezing.



K31222Ui, K31222Ui-1, K31225Ui, K31252Ui,  
K31252Ui-1, K31242UiF, K31242UiF-1, F31202Ui  
(installation drawings)



K31222Ui, K31222Ui-1, K31225Ui, K31252Ui,  
K31252Ui-1, K31242UiF, K31242UiF-1, F31202Ui, side  
view (installation draw)



K31222Ui, K31222Ui-1, K31225Ui, K31252Ui,  
K31252Ui-1, K31242UiF, K31242UiF-1 F31202Ui  
(installation drawings)