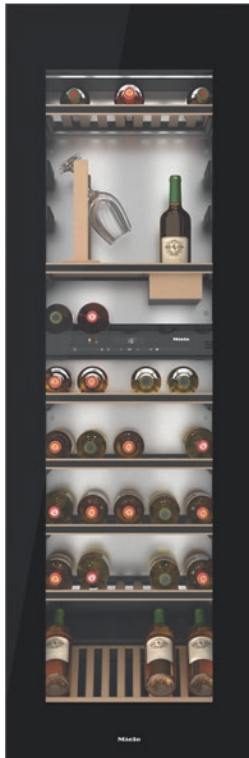


KWT 6722 iGS

Built-in wine conditioning unit

with FlexiFrame, SommelierSet and Push2open for demanding wine connoisseurs.



- Flexible storage of larger wine bottles thanks to FlexiFrame
- Perfect design for handleless kitchens – Push2open
- Simultaneous wine storage in separate temperature zones
- Odourless refrigeration section thanks to Active AirClean filters
- Present your wine in the perfect light – LED lighting



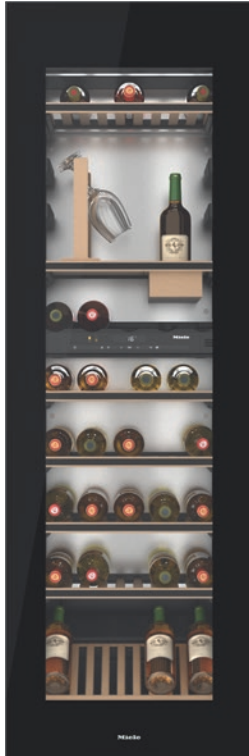
EAN: 4002515898000 / Material number: 10737540 / Old Material Number: 36672220EU1

Appliance category	
Wine conditioning unit	•
Construction type	
Built-in appliance	•
Integrated appliance	•
Door hinge	right
Convertible door hinging	•
Side-by-side enabled	•
Design	
Front colour	Glass door
Wine compartment lighting	LED illumination
User convenience	
Networking with Miele@home	•
Accessories required	XKS 3130 W
DynaCool	•
SoftClose	•
Concealed door opener	Push2open
Silence system	•
No. of wooden racks	8
Material of wooden racks	Beechwood
Number of FlexiFrame racks	8
SommelierSet	•
NoteBoard	Yes
3 D bottle presenter	•
Low-vibration storage	•
Control system	
Operating concept	TouchControl
Independent temperature regulation of fridge and freezer zones	No
No. of temperature zones	2
Min. temperature setting range in °C	5
Max. temperature setting range in °C	20
Efficiency and sustainability	
Energy efficiency class (A–G)	G
Annual energy consumption in kWh	178.12
Energy consumption in 24 h in kWh	0.48
Safety	
Lock function	•
Acoustic door alarm	•
Acoustic temperature alarm	•
Optical door alarm	•
Optical temperature alarm	•
Technical data	
Niche width in mm min.	560
Niche width in mm max.	570
Niche height in mm min.	1772
Niche height in mm max.	1780
Niche depth in mm	550
Appliance width in mm	557
Appliance height in mm	1770

KWT 6722 iGS

Built-in wine conditioning unit

with FlexiFrame, SommelierSet and Push2open for demanding wine connoisseurs.



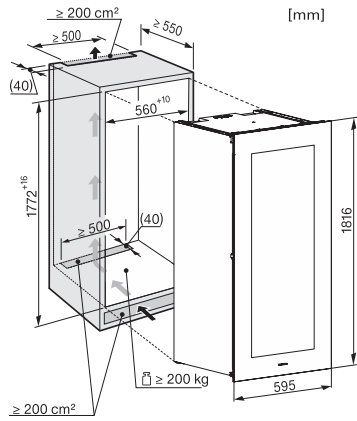
EAN: 4002515898000 / Material number: 10737540 / Old Material Number: 36672220EU1

Appliance depth in mm	572
Weight in kg	93.0
Climate class	SN
Refrigerator compartment in l	271
Wine compartment in l	271
Total usable capacity in l	271
0.75 l Bordeaux bottle capacity (no. of bottles)	83 bottles
Storage time in case of fault in h	0
Acoustic airborne noise emission class (A-D)	B
Sound emissions in dB(A) re 1 pW	32
Current consumption (mA)	1000
Voltage in V	220-240
Fuse rating in A	10
Number of phases	1
Frequency in Hz	50
Length of supply lead in m	2.8
Accessories included	
Active AirClean filter	•

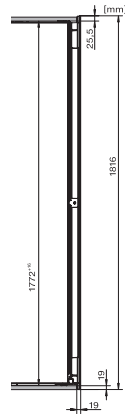
KWT 6722 iGS

Built-in wine conditioning unit

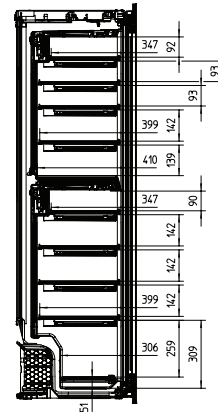
with FlexiFrame, SommelierSet and Push2open for demanding wine connoisseurs.



KWT6722iGS, KWT6722iGS-1, installation draw



KWT6722iGS, KWT6722iGS-1, side view (installation drawing)



KWT6722iGS, KWT6722iGS-1, Interior dimensions (Installation drawings)