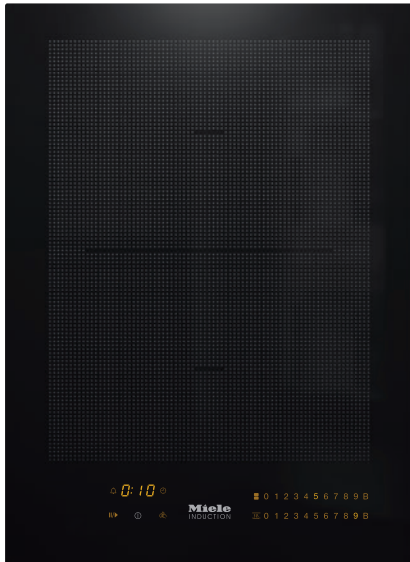


CS 7612 FL
SmartLine element
with induction PowerFlex cooking zone

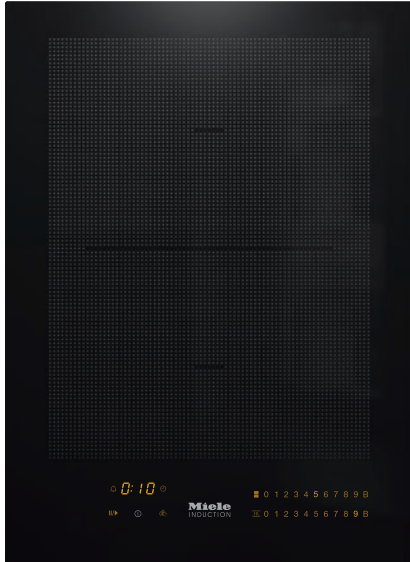


- Intuitive quick selection via number sequences – Smart Select
- Elegant design – for flush or raised installation
- Seamlessly integrates with any SmartLine element
- Versatile and fast – 2 cooking zones incl. 1 PowerFlex area
- Shortest heating-up times – TwinBooster

EAN: 4002515893036 / Material number: 10684390 / Old Material Number: 27761250GB

Heating type	
Heating type	Induction
Construction type	
SmartLine	•
Design	
Elegant glass ceramic surface	•
Flush	•
Ceramic surface colour	Black
Surface-mounted installation	•
Cooking zone details	
Number of cooking zones	2
PowerFlex cooking zones	
No.	2
Diameter in mm	Ø 150 – 230
Rating in W	2100
Booster in W	3000
TwinBooster in W	3650
1st cooking zone/cooking area	
Position	Centred
Type	PowerFlex
Size in mm	230x390
Max. Booster power rating in W	3000
Max. rating in W	2100
Max. TwinBooster power rating in W	3650
User convenience	
Operation via sensor controls	Smart Select
Pan and pan size recognition	•
Display colour	Yellow
Auto heat-up	•
Keeping warm	•
Stop & Go function	•
Recall function	•
Safety switch-off	•
Permanent pan recognition	•
Individual setting options (e.g. buzzers)	•
Wipe protection	•
Minute minder	•
Cleaning and care	
Easy to clean ceramic glass	•
Safety	
Safety switch-off	•
Lock function	•
System lock	•
Integrated cooling fan	•
Overheating protection	•
Residual heat indicator	•
Technical data	
Dimensions (H x W x D) in mm	51 x 378 x 520
Dimensions in mm (width)	378
Dimensions in mm (height)	51

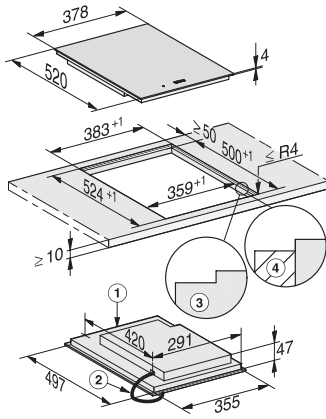
CS 7612 FL
SmartLine element
with induction PowerFlex cooking zone



EAN: 4002515893036 / Material number: 10684390 / Old Material Number: 27761250GB

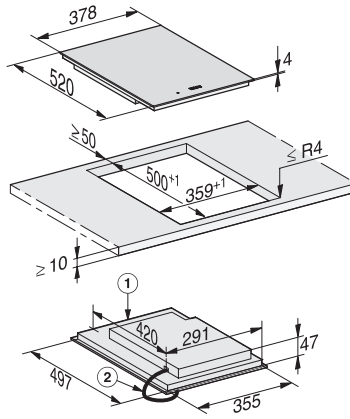
Dimensions in mm (depth)	520
Cut-out dimensions (W x D) with flush-fit installation in mm	358/382 x 500/524
Cutout dimensions in mm (width) with surface-mounted installation	358
Cutout dimensions in mm (depth) with surface-mounted installation	500
Casing height incl. connection box in mm	51
Internal cutout dimensions in mm (width) with flush installation	358
Internal cutout dimensions in mm (depth) with flush installation	500
Weight in kg	7
External cutout dimensions in mm (width) with flush installation	382
External cutout dimensions in mm (depth) with flush installation	524
Total rated load in kW	3.60
Length of supply lead in m	1.4
Voltage in V	230
Frequency in Hz	50-60
Accessories included	
Mains cable	Yes

CS 7612 FL
SmartLine element
with induction PowerFlex cooking zone



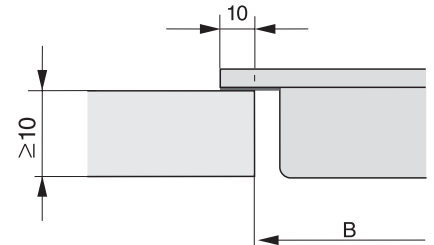
CS7612FL, flush (installation drawing)

1) Front, 2) Mains connection cable, L = 2000 mm, 3) Stepped cut-out, 4) Wooden Frame 12 mm (supplied loose),

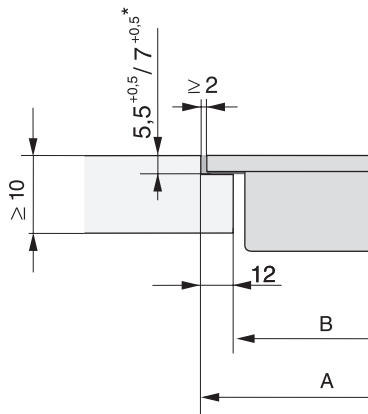


CS7612FL, (installation drawing)

1) Front, 2) Mains connection cable, L = 2000 mm

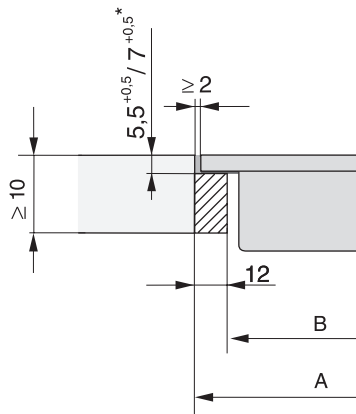


CS 7000 FL (Installation drawing)



CS 7000 FL, flush (Installation drawing)

*7+0,5 = CS7611 (Wok)



CS 7000 FL, flush (Installation drawing)

*7+0,5 = CS7611 (Wok)